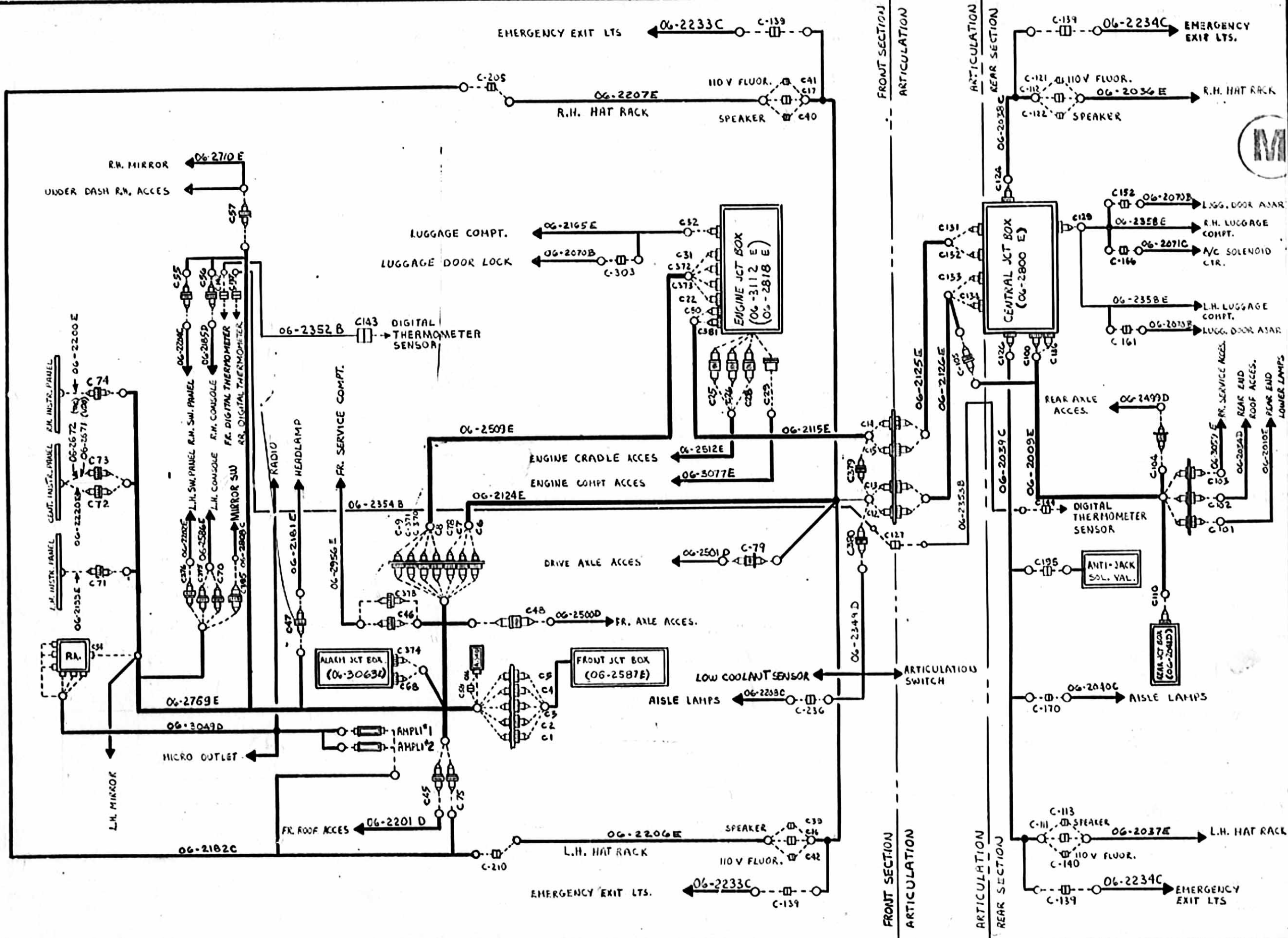


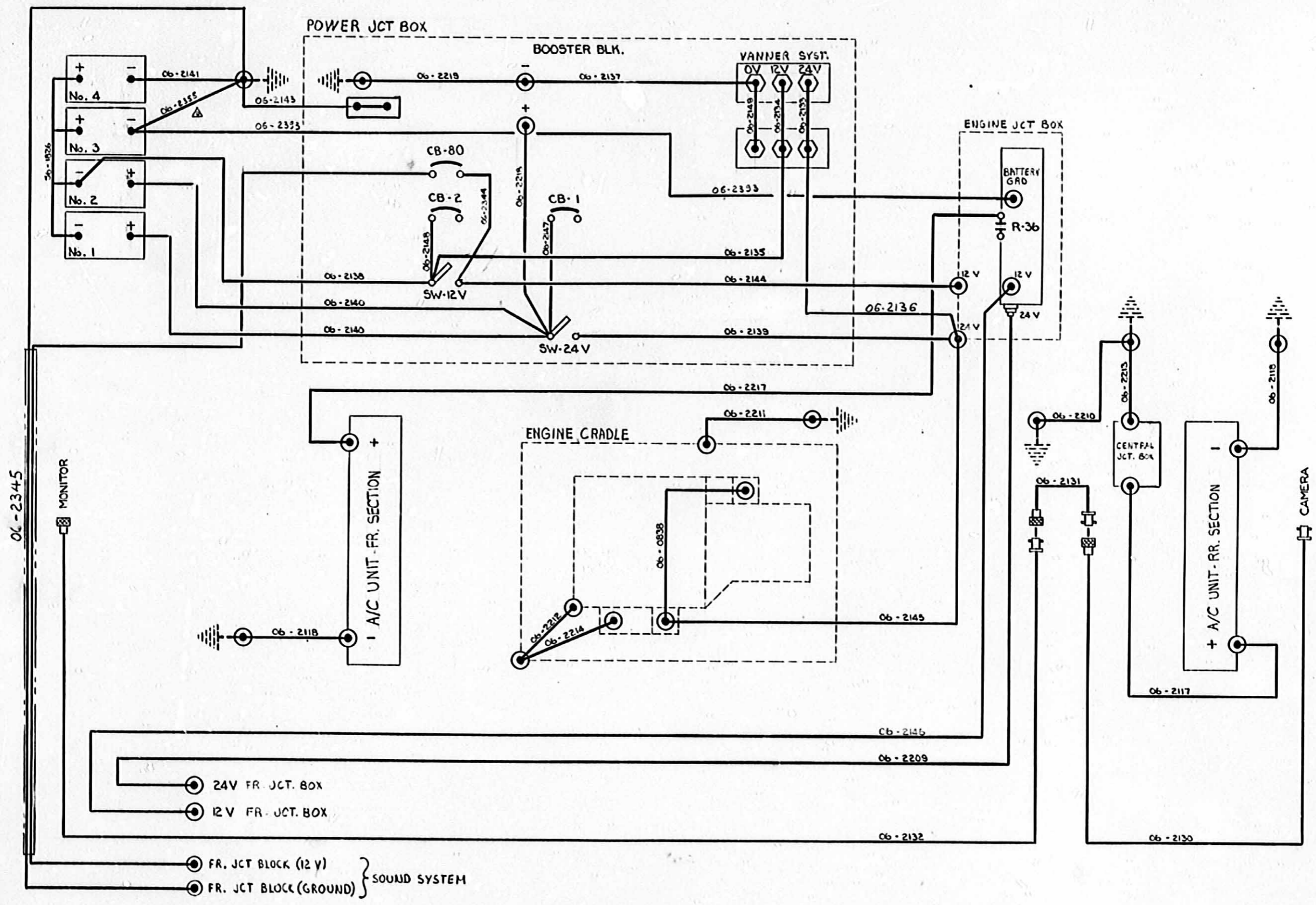
ITEM	DATE	REVISION	PAR	DESC :	APPL: EFF. W/	REF:	NO: D-060732	P.A.A	C
C	91-02	06-4020A 06-3112 REHARZE 06-2510	DV		L-027, L-033, L-034, L-035	H5-60 WESTONS			
B	91-01	06-4008E 06-3063 REV. ACC 06-2446	AB		M-095 @ M-104				
A	91-10	06-3077 ETAT 06-2821 (11/8)	ML						

DESS:	ML	DATE:	90-06
VER.:	lc	APPR.:	[Signature]



REV	DATE	DESCRIPTION	BY	CHK	PAR	DESC :	REF:	NO:
						HARNESS ARRANGEMENT	H5-60	D-060732 P.A
C	9/11	OG-3077 ETAT OG-2821 (C-200)	MJ					
B	9/10	OG-3059 ETAT OG-2955 (C-200)	DT					
	9/10	OG-3077 ETAT OG-2718 (C-200)	MJ					
E	11-02	OG-40201A OG-3112 REPLACE OG-2510	LV					
D	11-01	APPL. W/1-028	LV					
	11-01	OG-40002 OG-2002 (C-200) OG-2440	LV					





06-2345

DESC :		DESS:	DATE- 90-01
CABLE ARRANGEMENT		VER.-	APPR.-
APPL: W/ L-027 L-033	REF: HS-60	NO: D-060732 p. B C	

ITEM	DATE	REVISION	PAR
A	91-02	MISE A JOUR	M/A

CIRCUIT BREAKER CODE

M

CIRCUIT BREAKER					
CB#	AMP	VOLT.	DIAG. PAGE	LOCATION	FUNCTION
69	6	24H	16	FR. JCT. BOX	TACHOGRAPH CLOCK
70	3	24i	16	"	LOW FUEL SENSOR & TT LT
71	8	24	16	CENT. JCT. BOX	TOILET PUMP
72	8	"	"	"	TOILET LTS
73	"	"	"	"	TOILET FAN
74	10	24i	17	FR. JCT. BOX	UPPER WIND. DEFROST
75	10	24	15	"	L.H. CONSOLE SWITCH
76	10	24i	17	"	UPPER WIND. WIPER & WASHER
77	8	24	18	"	RR & FR DOOR CONTROL
78	3	12i	3	"	RETARDER SW.
79	8	24	18	CENT. JCT. BOX	RR CTR DOOR
80	30	12	24	POWER JCT. BOX	SOUND SYSTEM
81	16	24	19	FR. JCT. BOX	FR E.C.U. ANTI SKID
82	16	"	19	"	" " "
83	6	24i	19	"	" " "
84	70	12	1	ENG. JCT. BOX	CENTRAL JCT BOX
85	8	24i	8	ENG. JCT. BOX	HATRACK COMPT. LT.
86	6	24	21	FR. JCT. BOX	FEED KNEELING SYSTEM
87	6	24i	21	ENG. JCT. BOX	ARTICULATION SW
88	8	24	22	FR. JCT. BOX	ARTICULATION BRAKE
89	8	24i	"	ENG. JCT. BOX	AIR DRYER
90	6	"	22	FR. JCT. BOX	BACK UP MONITOR CONVERTER
91	8	24i	18	FR. JCT. BOX	SPEED LIMITER SW.
92	6	24i	22	FR. JCT. BOX	DRIVER'S SEAT HEATER / DG. THRM
94	10	12	23	FR. JCT. BOX	LUGGAGE DOOR LOCK
95	15	12	24	"	RADIL
97	6	24	16	CENT. JCT. BOX	aisle LTS.
98	10	12	7	"	BACK-UP LIGHT & BACK-UP ALARM
99	"	"	7	"	BACK-UP LT
100	8	24	9	"	GENERAL LT - REAR SECTION
101	6	"	9	"	24V FLUOR LT - REAR SECTION
102	6	12i	22	"	CAMERA HEATER
103	6	12	16	"	LAV. NIGHT LIGHT
105	6	110	9	MARK JCT. BOX	110-V FLUORESCENT - FR L.H.

CIRCUIT BREAKER					
CB#	AMP	VOLT.	DIAG. PAGE	LOCATION	FUNCTION
106	6	110	23	ALPH JCT. BOX	WATER HEATER TANK
107	20	110	23	"	ENGINE BLOCK HEATER
108	3	24	3	ENG. JCT. BOX	RETARDER ATEC CTR
109	10	12	6	FR. JCT. BOX	CORNERING LTS
110	15	12	24	"	AUDIO. AMPLI - FR. SECT.
111	15	12	24	"	" - RR SECT.
112	6	24	15	FR. JCT. BOX	FR. DESTINATION SIGN
113	20	24	23	CENT. JCT. BOX	LH LUGGAGE DOOR LOCK - RR
114	20	24	23	"	RH LUGGAGE DOOR LOCK - RR
115	25	24	23	ENG. JCT. BOX	FR. LUGGAGE DOOR LOCK
116	6	12	2	"	LOW COOLANT MODULE
117	8	24	26	GALLEY	HEATING CONTAINER #1
118	8	24	26	"	" " " " #2
119	8	24	26	"	" " " " #3
120	6	24	26	"	GALLEY LAMPS
121	70	24	26	POWER JCT. BOX	GALLEY (MICROWAVE OVEN)
122	25	24	26	"	GALLEY (HEATING CONT. & LAMPS)
123	6	12	26	"	GALLEY WATER PUMP
124	70	12	28	"	VIDEO SYSTEM

	DESC: CIRCUIT BREAKER CODE	DESS: <i>D.V.</i>	DATE: 90-01
		VER: <i>lc</i>	APPR: <i>[Signature]</i>
B 91-02 MISE A JOUR <i>[Signature]</i>	A 90-10 CB76 ETAT SUR 24V → 24V <i>[Signature]</i>		
90-09 BREAKER GA ETAT SA OC 2002 <i>[Signature]</i>			
TEM DATE REVISION	APPL: EFF. W/ L-027 L-035...	REF: H5-60	NO: D-060732 P.01 C

CIRCUIT BREAKER CODE



CIRCUIT BREAKER					
CB#	AMP	VOLT.	DIAG. PAGE	LOCATION	FUNCTION
1	30	24	1	FR. JCT. BOX	24 V HOT WIRE
2	30	12	1	"	12 V HOT WIRE
3	90	24	1	ENG. JCT. BOX	24 V FEED FRONT JCT. BOX
4	70	24	1	"	24 V FEED CENTRAL JCT. BOX
5	70	12	1	"	12 V FEED FRONT JCT. BOX
6	8	24	1	FR. JCT. BOX	FEED MASTER SWITCH
7	8	24	1	ENG. JCT. BOX	ENGINE - RR START SW. & SERV. LT.
8	8	24	1	"	RR ENGINE CTR SW
9	8	24	1	FR. JCT. BOX	WEBASTO SW.
10	15	24	1	ENG. JCT. BOX	WEBASTO
11	20	12	2	"	ECM (DDEC II)
12	20	12	2	"	ECM (DDEC II)
13	6	12	3	"	ECU (ATEC)
14	8	12	3	"	ATEC CTR
15	10	12	3	"	BACK - UP ATEC CTR
16	8	24	4	FR. JCT. BOX	ALARM BUZZER & INSTRUMENT
17	10	24	4	"	ELECT. HORI)
18	6	24	4	"	FIRE ALARM
19	6	12	4	"	12V VOLT METER
20	6	24	4	"	FOG LT SW
21	15	12	4	"	FOG LT
22	20	12	4	"	HEADLAMP (HI)
23	15	12	4	"	HEADLAMP (LO)
24	6	24	5	"	HEAD LAMP SW & MULTI-FUNC SW
25	10	24	17	"	MULTI-FUNC SW. (WIPER, WASHER)
26	20	12	6	"	FLASHER & HAZARD UNIT
27	15	24	7	ENG. JCT. BOX	FRONT BAGGAGE LT.
28	15	12	5	CENT. JCT. BOX	REAR ID TAIL & LICENCE LT
29	8	12	5	"	REAR CLEARANCE LT
30	8	12	5	"	REAR TAIL & MARKER LT
31	6	12	5	"	LICENCE PLATE LT
32	15	12	5	"	STOP LT
33	6	24	7	FR. JCT. BOX	STOP LT SW
34	6	24	7	"	PARK BRAKE SW.

CIRCUIT BREAKER					
CB#	AMP	VOLT.	DIAG. PAGE	LOCATION	FUNCTION
35	8	12	7	FR. JCT. BOX	FR. CLEARANCE LT.
36	6	24	8	CENT. JCT. BOX	EXIT LAMP
37	8	12	7	FR. JCT. BOX	FR. SECTION MARKER LT.
38	15	24	7	CENT. JCT. BOX	RR BAG. COMP'T LT.
39	6	24	8	FR. JCT. BOX	FR SERV. COMP'T LT
40	6	110	9	ALARM JCT. BOX	110V. FLUOR - RR
41	6	"	"	"	110V. FLUOR. - FR. RH
42	15	24	"	ENG. JCT. BOX	FRONT FLUORESCENT (24V)
43	8	24	"	FR. JCT. BOX	HAT RACK LTS SW
44	15	"	"	ENG. JCT. BOX	FRONT READING LTS - RH.
45	15	"	"	"	" " " LH.
46	8	"	"	CENT. JCT. BOX	REAR " " - RH.
47	8	"	"	"	" " " LH
48	10	"	9	ENG. JCT. BOX	FRONT GENERAL LTS
50	8	24	10	FR. JCT. BOX	DASH LT REOSTAT
51	10	"	"	"	U/SEAT LT
52	6	"	"	"	PASS & HOSTESS CHIME SW
53	8	24	11	"	A/C & HEAT SW.
54	8	24	11	ENG. JCT. BOX	A/C LOGIC PANEL.
55	6	24	13	FR. JCT. BOX	DRIVER'S HTR FAN SW. IGN CTR
56	15	24	"	ENG. JCT. BOX	REAR WATER PUMP
57	15	"	"	"	FRONT WATER PUMP
58	8	"	"	"	A/C COMP. CLUTCH & COND. FAN SOL.
59	90	"	"	"	FRONT EVAP. FAN MOTOR
60	40	"	"	F.E.F.M.	" " " " RH
61	40	"	"	"	" " " " LH
62	90	"	"	ENG. JCT. BOX	REAR EVAP. FAN MOTOR
63	40	"	"	R.E.F.M.	" " " " RH
64	40	"	"	"	" " " " LH
65	6	"	"	ENG. JCT. BOX	HUMIDISTAT CTR.
66	10	"	"	FR. JCT. BOX	DRIVER'S HTR FAN SW
67	10	24	14	"	REAR VIEW MIRROR
68	15	12	14	"	DRIV. WINDOW LIFTER & CIGAR LIG
69	40	24	12	POWER JCT. BOX	AUX. CONDENSER

	DESC: CIRCUIT BREAKER CODE	CLASS: P.T.	DATE: 90-01
		VER: KC	APPR: [Signature]
REV: A	DATE: 90-11	REVISION: CB25 ETAIT SUR LAJ -> ZAVI	
		CC# R182 LES BREAKERS	
		CHANGEMENT SANS	
		MISE A JOUR	
APPR: EFF. W/L 027	REF: H5-60	NO: D-060732 p. D 'C	

RELAYS CODE

RELAYS							
R#	DIAG. PAGE		AMP	CATEGORY	VOLT. COIL	LOCATION	FUNCTION
	COIL	CNTT					
1	1	4	200	MAGNETIC NO	24	FR. JCT. BOX	ENGINE RUN (24V)
2	1	1	20	CUBIC NO	"	ENG. JCT. BOX	" " (24V)
3	1	16	10	" DC	"	ENG. JCT. BOX	" " (24V)
4	1	1	200	MAGNETIC NO	"	ENG. JCT. BOX	STARTING MOTOR
5	1	11	20	CUBIC NO	12	FR. JCT. BOX	BLOWER CUT IN
6	2	2	20	" NO.	24	ENG. JCT. BOX	BRAKE SW CRUISE CTR.
7	2	2	10	" DC	"	"	FAST IDLE DEEC CTR
8	3	3	10	" "	"	"	CUT IN 12V ATEC
9	3	3	20	" NO.	"	"	CHECK TRANSM ATEC
10	3	3	20	" "	"	"	BACK UP ATEC SIGNAL
11	3	3	20	" "	"	"	RETARDER ATEC
12	4	4	20	" "	12	FR. JCT. BOX	ELECTRICAL HORN
13	4	4	20	" "	"	"	FRONT FOG LT
15	5	4	20	CUBIC NO.	24	FR. JCT. BOX	HEADLAMPS (HI)
16	5	4	20	" "	"	"	" (Lo)
17	5	7	20	" "	"	"	FRONT CLEARANCE LT
18	5	10	20	" "	"	"	U/SEAT LT & DASH RHEOSTAT
19	5	6	20	" "	"	"	RH. DIRECTIONAL LT
20	5	6	20	" "	24	"	LH. " "
21	5	5	10	" DC	"	"	NIGHT BLINKER
22	5	5	20	" NO	"	ENG. JCT. BOX	RR CLEAR MARKER & LIC. LT
23	7	5	20	" "	"	"	STOP LT
24	9	9	20	" "	"	ENG. JCT. BOX	FRONT FLUORESCENT (24V)
25	9	9	20	" "	"	"	FRONT READING LTS
26	9	9	20	" "	"	ENG. JCT. BOX	REAR " "
27	9	9	20	" "	"	ENG. JCT. BOX	GENERAL LTS
28	9	9	20	" "	24	"	A/C LOCK PANEL
29	11	13	20	" "	"	"	REAR WATER PUMP
30	13	11	20	" "	"	"	REAR HUMIDISTAT CTR
31	12	13	10	" DC	"	"	FRONT WATER PUMP
32	13	12	20	" NO.	"	"	FRONT HUMIDISTAT CTR
33							
34	12	13	20	CUBIC NO	"	ENG. JCT. BOX	A/C COMPRESSOR CLUTCH
35	12	13	20	" "	"	"	COND. FAN SOL. VALVE
1A	1	22	20	" "	24	FR. JCT. BOX	12V IGNITION - FR.
2A	1	1	20	" "	"	ENG. JCT. BOX	12V IGNITION - ENG.
3A	1	22	20	" "	"	ENG. JCT. BOX	12V IGNITION - CENT

RELAYS							
R#	DIAG. PAGE		AMP	CATEGORY	VOLT. COIL	LOCATION	FUNCTION
	COIL	CNTT					
36	13	13	200	MAGNETIC NO	24	ENG. JCT. BOX	EVAP. FAN MOTOR - FR.
37	13	13	200	" "	"	"	" " " -RR
38	13	13	20	CUBIC NO.	"	FR. JCT. BOX	DEFROSTER CTR
39	8	8	20	" "	"	"	DOOR AJAR
40	18	18	20	" "	"	"	RR & FR DOOR SPEED SW CTR.
41	19	19	20	" "	"	"	ANTI SKID CTR
42	19	19	20	" "	"	"	" " "
43	19	19	20	" "	"	"	" " "
44	19	7	20	" DC	"	"	" " "
45	21	21	20	" NO	"	"	KNEELING CTR
46	21	21	10	" DC	"	"	" " "
47	21	21	20	" NO	12	ENG. JCT. BOX	ARTICULATION SW
48	6	6	20	" "	24	FR. JCT. BOX	DOOR AJAR IGNITION
49	23	23	20	" "	12	"	RADIO & AMPLI.
50	23	23	20	" "	12	"	" " "
51	2	2	20	" "	24	ENG. JCT. BOX	"KILL SW" CRUISE CTR
52							
53	7	7	20	CUBIC NO	12	ENG. JCT. BOX	BACK-UP LT
54	9	9	20	" "	24	"	GENERAL LT (REAR SECTION)
55	9	9	20	" "	24	"	24V FLOOR (REAR SECTION)
56	5	5	20	" "	24	ENG. JCT. BOX	SIDE MARKER, TAIL / LICENSE LT.
57	1	1	20	" "	"	ENG. JCT. BOX	VOLTAGE REGULATOR - IGN
58	16	16	20	" "	"	ENG. JCT. BOX	TOILET FLUORESCENT
59	5	6	20	" "	"	FR. JCT. BOX	CORNERING LT RH
60	5	6	20	" "	"	"	" " LH
61	5	5	20	" "	"	"	" " CUT-OUT
62	5	7	20	" "	"	"	MARKER LT-FR SECTION
63	5	8	20	" "	"	ENG. JCT. BOX	EXIT LT
64	22	22	20	" "	12	ENG. JCT. BOX	CAMERA DOOR SYST. - SERVICE
65	23	23	50	" "	"	ENG. JCT. BOX	LUGGAGE DOOR LOCK - FR
66	23	23	50	" "	"	"	" " " "
67	23	23	20	CUBIC NO	24	ENG. JCT. BOX	LH LUGGAGE DOOR LOCK - RR
68	23	23	20	" "	"	"	" " " " "
69	23	23	20	" "	"	"	RH LUGGAGE DOOR LOCK - RR
70	23	23	20	" "	"	"	" " " " "
71	22	22	20	" "	12	FR. JCT. BOX	BACK-UP MONITOR
72							
73	1	24	20	CUBIC NO.	24	FR. JCT. BOX	RADIO AMPL. CUT-IN

				TITLE: RELAYS CODE				DESS: BC		DATE: 90.01	
								VER: /		APPR: /	
				APP: W/ 1-037 L-033...				REF: HS-60		NO: D-060732 P. E C	
				B 40/01 (C990184) R12 VOLT. COIL ETAIT 24 SL							
				A 90/06 MISE A JOUR M/							
				REV DATE REVISION PAR							

DIODE CODE

DIODE					
D ^B	AMP.	VOLT	DIFF. PAGE	LOCATION	FUNCTION
1		24	4	FR. JCT. BOX	LO. AIR SEC.
2		24	4	"	LO. AIR PRIM.
4		24	1	ENG. JCT. BOX	NEUTRAL GROUND
5		"	9	ENG. JCT. BOX	RR ELECTRONIC TRANSMITTER
6		"	12	"	A/C CTR MODUL - REAR
7		"	10	"	FR ELECTRONIC TRANSMITTER
8		"	12	"	A/C CTR MODUL - REAR
9		"	12	"	" " " "
10		"	11	"	A/C CTR
11		"	11	FR. JCT. BOX	" "
12		"	11	"	" "
13		"	16	CENT. JCT. BOX	TOILET
14		"	18	FR. JCT. BOX	REAR & FRONT CTR DOOR
15		"	18	"	" " " "
16		"	18	"	" " " "
17		"	21	"	KNEELING CTR
18		"	21	"	" "
19		"	21	"	" "
20		12	21	ENG. JCT. BOX	ARTICULATION SW # 3
21		24	13	"	FAN A/C ONLY
22		24	5	FR. JCT. BOX	HAZARD - FLASHER RH.
23		24	5	"	" " LH
24		24	5	"	(BRAKE TT LT) SW.
25		24	5	"	(FASTIDLE SW) STOP SW
26		24	13	ENG. JCT. BOX	FAN A/C ONLY
29		24	22	CENT. JCT. BOX	ARTICULATION BRAKE SYSTEM
31		24	22	CENT. JCT. BOX	ARTICULATION BRAKE SYSTEM
32	20	24	23	ENG. JCT. BOX	LUGGAGE DOOR LOCK FP.
33	20	24	23	"	" " " "
34	20	24	23	CENT. JCT. BOX	LUGGAGE DOOR LOCK RR
35	20	24	23	"	" " " "
36	20	24	23	"	" " " "
37	20	24	23	"	" " " "
38	3	24	5	FR. JCT. BOX	BACK-UP CORNERING " SPECIAL VOYAGEUR"

DIODE					
D ^B	AMP.	VOLT	DIFF. PAGE	LOCATION	FUNCTION
39	3	12	5	FR. JCT. BOX	BACK-UP CORNERING " SPECIAL VOYAGEUR"
40	3	12	5	"	" " " "
41	3	24	5	"	" " " "
42	3	24	4	FR. JCT. BOX	DAYTIME CUT-IN - PARK BRAK
43	3	24	4	" " "	DAYTIME CUT-IN - TAIL LTS
44	3	24	7	ENG. JCT. BOX	STOP LTS - RETARDER
45	3	24	13	" " "	A/C COMPR CLUTCH - DIODE RECTIFIER
46	3	24	16	CENT. JCT. BOX	TOILET EMERG BUZZER
47					
48	3	24	13	ENG. J. B	A/C COMPRESSOR CLUTCH
49	3	24	18	F. J. B	THROTTLE INHABIT - RR DOOR
50	3	24	18	F. J. B	THROTTLE INHABIT - FR DOOR
51	3	24	18	F. J. B	DAMPER ON - FR & RR DOOR OPEN
52	3	24	11	R.H. SW. PANEL	FRESH AIR CONTROL
53	3	24	11	ENG. J. B	CONSTANT A/C & HEAT
54	3	24	13	ENG. J. B	CONSTANT A/C & HEAT

				DESC: DIODE CODE		DESS: B.C.	DATE: 90-01
				A 92/06 MISE A JOUR		VER: [Signature]	APPR: [Signature]
				B 92-04 DS3 & DS4 ANTE 062030			
				TEM DATE REVISION		REF: H5-60	
				APPL: W/L-027 L-033...		NO: D-060732 P.F C	



CONNECTOR CODE

CONNECTOR			
C #	LOCATION	DESIGNATION	NO. CAVITY
C77	FR. SERVICE COMPT.	FEED FR. SERVICE COMPT. ACCESSORIES	16
C78			
C79	DRIVE AXLE	FEED DRIVE AXLE ACCESSORIES	22
C80	ENGINE JCT BOX COMPT.	FROM ARTICULATION TO ENGINE JCT. BOX	14
C81	" " " "	ELECTRONIC CONTROL MODULE ENGINE	30
C82	" " " "	" " " "	30
C83	" " " "	ELECTRONIC CONTROL UNIT (TRANSMISSN)	30
C84	" " " "	" " " "	30
C85	FR. JCT BOX COMPT.	SPEED LIMITE SW.	9
C86	FR. SERVICE COMPT.	SIDE FLASHER RH	2
C87	" " " "	SIDE MARKER	2
C88	" " " "	DRIVER'S LIQUID SOL. VALVE	2
C89	" " " "	DRIVER'S WATER VALVE	2
C90	" " " "	THROTTLE POSITION SENSOR	3
C91	" " " "	INSTRUMENT PANEL RHEOSTAT	2
C92	" " " "	AIR RETURN SENSOR	2
C93	" " " "	SIDE FLASHER LH	2
C94	" " " "	BRAKE INTERLOCK SOL. VALVE	2
C95	" " " "	FRESH AIR DAMPER SOL. VALVE	2
C96	" " " "	ELECTRICAL HORN	2
C97	" " " "	BELLOWS CTR. VALVE	2
C98	" " " "	EXHAUST CTR. SOL. VALVE	2
C99	" " " "	STEERING COMPT. LTS	2
C100	CENTRAL JCT. BOX	CENTRAL JCT BOX TO RR SERVICE COMPT.	22
C101	RR SERVICE COMPT.	FEED RR LOWER LAMP	16
C102	" " " "	FEED RR ROOF ACCESSORIES	22
C103	" " " "	FEED RR SERVICE COMPT. ACCESSORIES	24
C104	RR AXLE ACCESSORIES	FEED RR AXLE ACCESSORIES	22
C105	ARTICULATION	FROM ARTICULATION TO RR SERVICE COMPT.	14
C106	RR END LH SIDE	RR LH LOWER LAMP	9
C107	RR END CENTER	CYCLOP LT.	2
C108	" " " "	LICENCE PLATE LT.	2
C109	RR END RH SIDE	RR RH LOWER LAMP	9
C110	RR SERVICE COMPT.	RR JCT BOX	24
C111	RR SECT. LH HAT RACK -FR.	FEED LH HAT RACK ACCESSORIES	9
C112	RR SECT. RH HAT RACK -FR.	FEED RH HAT RACK ACCESSORIES	9
C113	RR SECT. LH HAT RACK -FR.	FEED LH SPEAKER	4
C114	RR & FR LH HAT RACK	FOR READING LTS	2

CONNECTOR			
C #	LOCATION	DESIGNATION	NO CAVITY
C115	HAT RACK	FLUORESCENT	4
C116	" "	BALLAST DISTRIBUTION	6
C117	" "	BALLAST FEEDING	4
C118	" "	FEED GENERAL & HAT RACK LTS	3
C119	" "	FLUORESCENT	4
C120	" "	BALLAST DISTRIBUTION	6
C121	RR SECT. RH HAT RACK -FR.	FEED 110-V FLUOR.	2
C122	" " " " " "	FEED SPEAKER	4
C123	RR & FR. RH HAT RACK	READING LTS	2
C124	CENTRAL JCT. BOX	FROM CENTRAL JCT. BOX TO RR RH HAT RACK	24
C125			
C126	CENTRAL JCT. BOX	FROM CENTRAL JCT. BOX TO RR LH HAT RACK	24
C127	ARTICULATION	RR DIGITAL THERMOMETER FEEDING	3
C128			
C129	CENTRAL JCT. BOX	FROM CENTRAL JCT. BOX TO LUGGAGE COMPT.	24
C130			
C131	CENTRAL JCT. BOX	FROM CENTRAL JCT. BOX TO ARTICUL. HARN.	6
C132	" " " "	" " " " " "	24
C133	" " " "	" " " " " "	37
C134	" " " "	" " " " " "	16
C135			
C136	CENTRAL JCT. BOX	FROM CENTRAL JCT. BOX TO RR SERVICE COMPT.	16
C137	RR CONSOLE	RR DIGITAL THERMOMETER	2
C138	AISLE RR STEP WELL	AIR RETURN SENSOR	2
C139	LH & RH ROOF ARTICULATION	FEED EMERGENCY EXIT LTS	2
C140	RR SECT. LH HAT RACK -FR.	FEED 110-V FLUOR.	2
C141	FR. SERVICE COMPT.	KNEELING LT	2
C142	RH CONSOLE	FR. DIGITAL THERMOMETER	2
C143	FR LUGGAGE COMPT.	" " " " SENSOR	2
C144	ARTICULATION -LH	RR DIGITAL THERMOMETER SENSOR	2
C145	RR SECT. LUGGAGE COMPT. -RH	LUGGAGE LTS	2
C146	" " " " " "	" " " " " "	2
C147	" " " " " "	FEED LUGGAGE DOOR LOCK	6
C148	" " " " " "	LUGGAGE LTS	2
C149	" " " " " "	FEED LUGGAGE DOOR LOCK	6
C150	" " " " " "	LUGGAGE LTS	2
C151	" " " " " "	AIR RETURN SENSOR	2
C152	" " " " " "	FEED LUGGAGE DOOR LOCK	6

	DESC: CONNECTOR CODE	DESS: <i>D.J.</i>	DATE: 90-01
		VER: <i>EC</i>	APPR: <i>10</i>
REV	DATE	REVISION	PAR
		APPL: EFF. W/L034	REF: H5-60
			NO: D-060732 p. H2 C



CONNECTOR CODE

CONNECTOR			
C #	LOCATION	DESIGNATION	NO. CAVITY
C153	RR SECT. LUGGAGE COMPT. LH	LUGGAGE LTS	2
C154	" " " " " "	AIR AMBIENT SENSOR	2
C155	" " " " " "	LUGGAGE LTS	2
C156	" " " " " "	FEED LUGGAGE DOOR LOCK	6
C157	" " " " " "	LUGGAGE LTS	2
C158	" " " " " "	FEED LUGGAGE DOOR LOCK	6
C159	" " " " " "	LUGGAGE LTS	2
C160	" " " " " "	AIR RETURN SENSOR	2
C161	" " " " " "	LUGGAGE DOOR LOCK	6
C162	RR SECT. LUGGAGE COMPT.	ST1 WATER VALVE	2
C163	" " " " " "	ST2 WATER VALVE	2
C164	" " " " " "	ST3 WATER VALVE	2
C165	" " " " " "	LIQUID SOLENOID VALVE	2
C166	" " " " " "	FEED WATER VALVE	9
C167	RR END ROOF	CLEARANCE LTS	2
C168	" " " " " "	WATCH YOUR STEP	2
C169	" " " " " "	LAVATORY OCCUPIED SW.	2
C170	RR SECT. UNDER LH SEAT	FEED. LH UNDER SEAT ACCESSORIES	4
C171	" " " " " "	ACCELEROMETER	2
C172	" " " " " "	AISLE LTS	2
C173	" " " " " "	RUNNING LTS	2
C174	UNDER DASH - RH	DRIVERS HTR SPEED CTR MODULE	9
C175	" " " " " "	" " " " " "	9
C176	" " " " " "	LOWER WIND. WIPER PULSE GENERATOR	6
C177	" " " " " "	LOWER WINDSHIELD WIPER MOTOR	6
C178	" " " " " "	DRIVER'S HTR & DEFROSTER LH FAN	2
C179	" " " " " "	" " " " " " RH "	2
C180	RR END ROOF - CENTER	CAMERA	4
C181	" " " " " LH	LAVATORY FLUORESCENT	2
C182	" " " " " LH	WATER TANK HEATER	3
C183	RR SERVICE COMPT.	SIDE MARKER	2
C184	" " " " " "	SIDE DIRECTIONAL LTS LH	2
C185	" " " " " "	FRESH AIR DAMPER SOL. VALVE	2
C186	" " " " " "	FRESH AIR SENSOR	2
C187	" " " " " "	CAMERA DOOR SOLENOID	2
C188	" " " " " "	CAMERA DOOR CTR. SW	4
C189	" " " " " "	LAVATORY PUMP	2
C190	" " " " " "	BACK-UP ALARM	2

CONNECTOR			
C #	LOCATION	DESIGNATION	NO. CAVITY
C191	RR SERVICE COMPT	TOILET VENTILATION	2
C192	" " " " " "	SIDE DIRECTIONAL LTS-RH	2
C193	" " " " " "	" " " " " "	
C194	" " " " " "	" " " " " "	
C195	ARTICULATION	ANTI-JACK SYSTEM	2
C196	ENGINE JCT BOX	RED LED INDICATOR -FR. SECT. (HTR)	2
C197	" " " " " "	" " " " -RR. SECT. (HTR)	2
C198	" " " " " "	GREEN LED INDICATOR -FR. SECT. (A/C)	2
C199	" " " " " "	" " " " -RR. SECT. (A/C)	2
C200	FR. SECT. HAT RACK	FLUORESCENT	4
C201	" " " " " "	" " " " " "	4
C202	" " " " " "	BALLAST FEEDING	4
C203	" " " " " "	BALLAST DISTRIBUTION	6
C204	" " " " " "	FEED GENERAL & HAT RACK LTS	3
C205	FR. SECT. RH HAT RACK -FR.	SPEAKER	4
C206	L.H. CONSOLE	GOOSE NECK MICROPHONE	4
C207	L.H. CONSOLE	GOOSE NECK MICRO. SWITCH	8
C208	FR. SECT. LH HAT RACK	BALLAST FEEDING	4
C209	" " " " " "	READING LTS	2
C210	FR. SECT. LH HAT RACK -FR.	SPEAKER	4
C211	FRONT ROOF	DRIVER'S STORE-LH	2
C212	" " " " " "	DRIVER'S STORE-RH	2
C213	" " " " " "	CLEARANCE LTS	2
C214	" " " " " "	AMPLIFIER RH SPEAKER CONNECTION	2
C215	" " " " " "	" LH " " "	2
C216	UNDER DASH - LH CORNER	P.A. DISTRIBUTION	9
C217	" " " " " "	P.A. MICRO OUTLET	3
C218	" " " " " "	P.A. VOLUME	3
C219	" " " " " "	P.A. DRIVER'S SPEAKERS CONNECTION	4
C220	" " " " " "	P.A. AMPLIFIER CONNECTION	7
C221	" " " " " "	P.A. RADIO CONNECTION	7
C222	ALARM JCT BOX COMPT.	MICRO OUTLET	4
C223	" " " " " "	DRIVER'S SPEAKERS FEEDING	4
C224	RH SWITCH PANEL	RADIO	7
C225	" " " " " "	" " " " " "	
C226	FR. ROOF - LH	AMPLIFIER	7
C227	RH SWITCH PANEL	SPEAKER SELECTOR SWL	8
C228	" " " " " "	MICRO OUTLET	4

				DESC: CONNECTOR CODE		DESS: <i>D.V.</i>	DATE: 90-01
						VER: <i>MC</i>	APP: <i>MC</i>
A	91-02	MISE A JOUR		APPL: EFF W/ L-021	REF: H5-60	IND-060732 P.H3 C	
ITEM	DATE	REVISION	PAR	L-033			



CONNECTOR CODE

CONNECTOR			
C #	LOCATION	DESIGNATION	NO. CAVITY
C229	RH SWITCH PANEL	P.A. VOLUME CONTROL	4
C230	" " "	LH DRIVER'S SPEAKER	2
C231	" " "	RADIO FEEDING	4
C232	" " "	RH DRIVER'S SPEAKER	2
C233	FR. SECTION ARTICULATION	ARTICULATION VERTICAL SAFETY SW.	2
C234	" " "	ARTICULATION HORIZONTAL SAFETY SW.	6
C235	" " "	LOW COOLANT SENSOR	3
C236			
C237	FR. SECT. UNDER SEAT - LH	aisle LTS FEEDING	2
C238	" " " " "	aisle LTS	2
C239	FR. AXLE	FUEL TANK LEVEL GAUGE	4
C240	" " "	KNEELING SW.	2
C241	FR. SERVICE COMPT.	FOG RESISTOR BOX	3
C242	" " "	FR. L.H. MARKER & DIRECT. LT.	3
C243	" " "	HEADLAMPS	3
C244	" " "	L.H. FOG LAMP	2
C245	" " "	R.H. FOG LAMP	2
C246	" " "	FR. R.H. MARKER & DIRECT. LT.	3
C247			
C248	ALARM XT. BOX	UPPER WIND. WIPER PULSE GENERATOR	12
C249	" " "	CONVERTER 12V TO 5V (BU MONITOR)	3
C250	" " "	DASH LTS REGULATOR CTR	6
C251	LT SWITCH PANEL	FAST IDLE SW.	8
C252	" " "	SWITCH LTS.	2
C253	" " "	ETHER SW.	8
C254	" " "	WEBASTO SW.	8
C255	" " "	RETARDER SW.	8
C256	RR SECT RH HAT RACK	RR SECT AMPLIFIER CUT OUT SW	4
C257			
C258	LT SWITCH PANEL	MULTI-FUNCTION SW.	8
C259	" " "	MULTI-FUNCTION SW.	6
C260	INSTR. PANEL - CENTER PLATE	TACHOGRAPH HEAD RPM	4
C261	" " " " "	TACHOGRAPH HEAD ANTI-JACK	4
C262	" " " " "	TACHOGRAPH HEAD FEEDING	4
C263	" " " " "	TACHOGRAPH HEAD SPEEDO	4
C264	" " " " "	ENGLER TACHO HEAD	6
C265	" " " " "	ENGLER SPEEDO HEAD	6
C266	ENGINE CRADLE	HANDUAL TRANSMISSION ACCES.	4

CONNECTOR			
C #	LOCATION	DESIGNATION	NO. CAVITY
C267	ENGINE CRADLE	SPEED SENSOR	3
C268	" " "	RPM SENSOR	3
C269	" " "	JACOB L.H. BANK BRAKE	1
C270			
C271	ENGINE CRADLE	JACOB R.H. BANK BRAKE	1
C272			
C273	ENGINE CRADLE	MOTOR BLOCK HEATER	3
C274	RADIO	RADIO FEEDING	9
C275	ENGINE CRADLE	DDEC OPTION	4
C276	" " "	CONDENSER FAN SOL. VALVE	2
C277	ENGINE CRADLE	RACOR FUEL FILTER	2
C278	" " "	WEBASTO	6
C279	" " "	FR. WATER PUMP	2
C280	" " "	FR. ST3 WATER VALVE	2
C281	" " "	FR. ST2 WATER VALVE	2
C282	" " "	FR. ST1 WATER VALVE	2
C283	" " "	ATEC SPEED SENSOR	2
C284	" " "	ATEC THROTTLE SENSOR N/A	3
C285	" " "	ATEC TRANSMISSION	23
C286	RH SWITCH PANEL	A/C & HEAT SW.	1
C287	" " "	A/C FAN ONLY	1
C288	" " "	FRESH AIR SW.	1
C289	" " "	SWITCH LTS	2
C290			
C291	FR. SECTION LUGGAGE COMPT.	LUGGAGE LTS	2
C292	" " "	" " "	2
C293	" " "	" " "	2
C294	" " "	" " "	2
C295	" " "	AIR AMBIENT SENSOR	2
C296	" " "	LUGGAGE LTS	2
C297	FR SECTION LUGGAGE COMPT.	AIR RETURN SENSOR	2
C298	" " " " "	" " "	2
C299	" " " " "	LUGGAGE LTS	2
C300	" " " " "	FRESH AIR SENSOR	2
C301			2
C302	FR. SECTION LUGGAGE COMPT.	LIQUID SOLENOID VALVE	2
C303	" " " " "	LUGGAGE DOOR LOCK FEEDING	6
C304	" " " " "	" " " " "	6

	DESC: CONNECTOR CODE	DESS: D.T.	DATE: 90-01
		VER: <i>lc</i>	APPR: <i>ll</i>
A 90/08	C274 ASSYING CC# 90151	M2	
ITEM DATE	REVISION	PAR	
	APPL: EFF. W/ L-027 L-033...	REF: H5-60	ID: D-060732 P.H4 C

CONNECTOR CODE

CONNECTOR			
C#	LOCATION	DESIGNATION	NO. CAVITY
C 305	FR SECTION LUGGAGE COMPT.	LUGGAGE DOOR LOCK FEEDING	6
C 306	" " " "	" " " "	6
C 307	L.H. CONSOLE	DRIVER'S SEAT HEATER	4
C 308	" "	DASH LT. RHEOSTAT	
C 309	" "	GALLEY SW.	8
C 310	" "	LUGGAGE DOOR LOCK SW.	8
C 311	" "	HOSSESS & PASS. CHIME SW.	8
C 312	" "	READING LT. SW.	8
C 313	" "	GENERAL LT. & 24V FLUOR. SW.	8
C 314	" "	FR. DESTINATION SIGN SW.	8
C 315	" "	L.H. STORE SW.	8
C 316	" "	ARTICULATION BRAKE SW	8
C 317	" "	R.H. STORE SW.	8
C 318	" "	DRIVER'S WINDOW LIFTER	
C 319	" "	DRIVER'S SEAT HEATER SW.	8
C 320	" "	DRIVER'S LT. SW.	8
C 321	" "	SHIFTER SELECTOR	16
C 322	" "	DRIVER'S WINDOW LIFTER MOTOR	2
C 323	" "	CRUISE CONTROL SW. PANEL	14
C 324	" "	RR ENTRANCE DOOR SW	8
C 325	" "	KNEELING SW.	8
C 326	" "	FR. ENTRANCE DOOR SW.	8
C 327	ENGINE COMPT.	ENGINE CONTROL SWITCHES	9
C 328	" "	WATER PUMP	2
C 329	" "	SERVICE LTS.	2
C 330	ENGINE COMPT. - AT A/C COMPR.	UNDER LOADER SOL. VALVE	2
C 331	" " " "	" " " "	2
C 332	" " " "	A/C COMPR. CLUTCH	2
C 333	" " " "	A/C LO-PRESSURE SW.	2
C 334	" " " "	A/C HI-PRESSURE SW.	2
C 335	ENGINE COMPT.	RETARDER SOL. VALVE	2
C 336	INSTRUMENT PANEL - LH SECT.	INSTRUMENT & SW. LTS	
C 337	" " " "	UPPER WIND. WIPER MOTOR CONTROL SW.	8
C 338	" " " "	UPPER WINDSHIELD DEFROST SW.	8
C 339	" " " "	UPPER WINDSHIELD WASHER CTR. SW.	8
C 340	" " " "	L.H. MIRROR ADJUSTING SW.	8
C 341	" " " "	HEATED MIRROR SW.	8
C 342	" " " "	R.H. MIRROR ADJUSTING SW.	8

CONNECTOR			
C#	LOCATION	DESIGNATION	NO. CAVITY
C 343	INSTRUMENT PANEL - LH. SECT.	HEADLAMP SW.	8
C 344	" " " "	HAZARD WARNING LTS SW.	8
C 345	" " " "	FOG LT. SW.	8
C 346	" " " "	SWITCH LTS.	2
C 347	" " " "	DASH LT. SW.	2
C 348	INSTRUMENT PANEL - CENTER	RACOR FILTER T.T. LT. MODULE	6
C 349	R.H. CONSOLE	RED LED INDICATOR - FR. SECT. (HTR)	2
C 350	" "	DIGITAL THERMOMETER	3
C 351	" "	RED LED INDICATOR - RR. SECT. (HTR)	2
C 352	" "	DRIVER'S TEMP. CONTROL SENSOR	3
C 353	INSTRUMENT PANEL - RH	DRIVER'S HTR. FAN SPEED CTR. RHEOSTAT	6
C 354	" " " "	DRIVER'S TEMP. CONTROL	6
C 355	" " " "	FRONT TEMP. CONTROL	3
C 356	" " " "	REAR TEMP. CONTROL	3
C 357	" " " "	WATER TEMP. GAUGE	3
C 358	" " " "	FUEL LEVEL GAUGE	3
C 359	" " " "	INSTRUMENT PANEL LIGHTING	2
C 360	" " " "	B/U MONITOR	2
C 361	FR. ROOF	UPPER WIPER MOTOR	6
C 362	" "	LAVATORY OCCUPIED SIGN	2
C 363	" "	WATCH YOUR STEP SIGN	2
C 364	" "	FR. DESTINATION SIGN	3
C 365	" "	UPPER WINDSHIELD DEFROST	3
C 366	R.H. CONSOLE	GREEN LED INDICATOR - FR. SECT. (A/C)	2
C 367	" "	GREEN LED INDICATOR - RR. SECT. (A/C)	2
C 368	ENGINE COMPT.	ETHER QUICK START SW	8
C 369	ALARM JCT BOX COMPT	FEED LH SW PANEL	6
C 370	FR. SERVICE COMPT. - UNDERNEATH	FROM ARTICULATION TO INTERFACE HARNESS	37
C 371	FR. SERVICE COMPT.	FROM ENGINE JCT. BOX TO INTERFACE HARNESS	16
C 372	ENGINE JCT. BOX	FROM FR. SERVICE COMPT. TO ENGINE JCT BOX	37
C 373	" " " "	" " " " " "	16
C 374	ALARM JCT. BOX	ALARM JCT. BOX TO INTERFACE HARNESS	37
C 375	ALARM JCT. BOX COMPT.	FEED LH CONSOLE	37
C 376	" " " "	FEED LH SW. PANEL	37
C 377	LT. SWITCH PANEL	STOP ENGINE OVERRIDE SW.	8
C 378	FR. SERVICE COMPT.	FEED FR. SERVICE COMPT. ACCES.	16
C 379	ARTICULATION	FR. COMPT. TO ENGINE COMPT.	24
C 380	"	FEED ARTICULATION ACCES.	22

				DESC: CONNECTOR CODE	DATE: 90-01
				APPL: W/L-027, L-033...	REF: HS-60
				APPR: [Signature]	APPD: [Signature]
A	90/10	C329	NO. 1 CAVITY	024	90189
REV	DATE	REVISION			



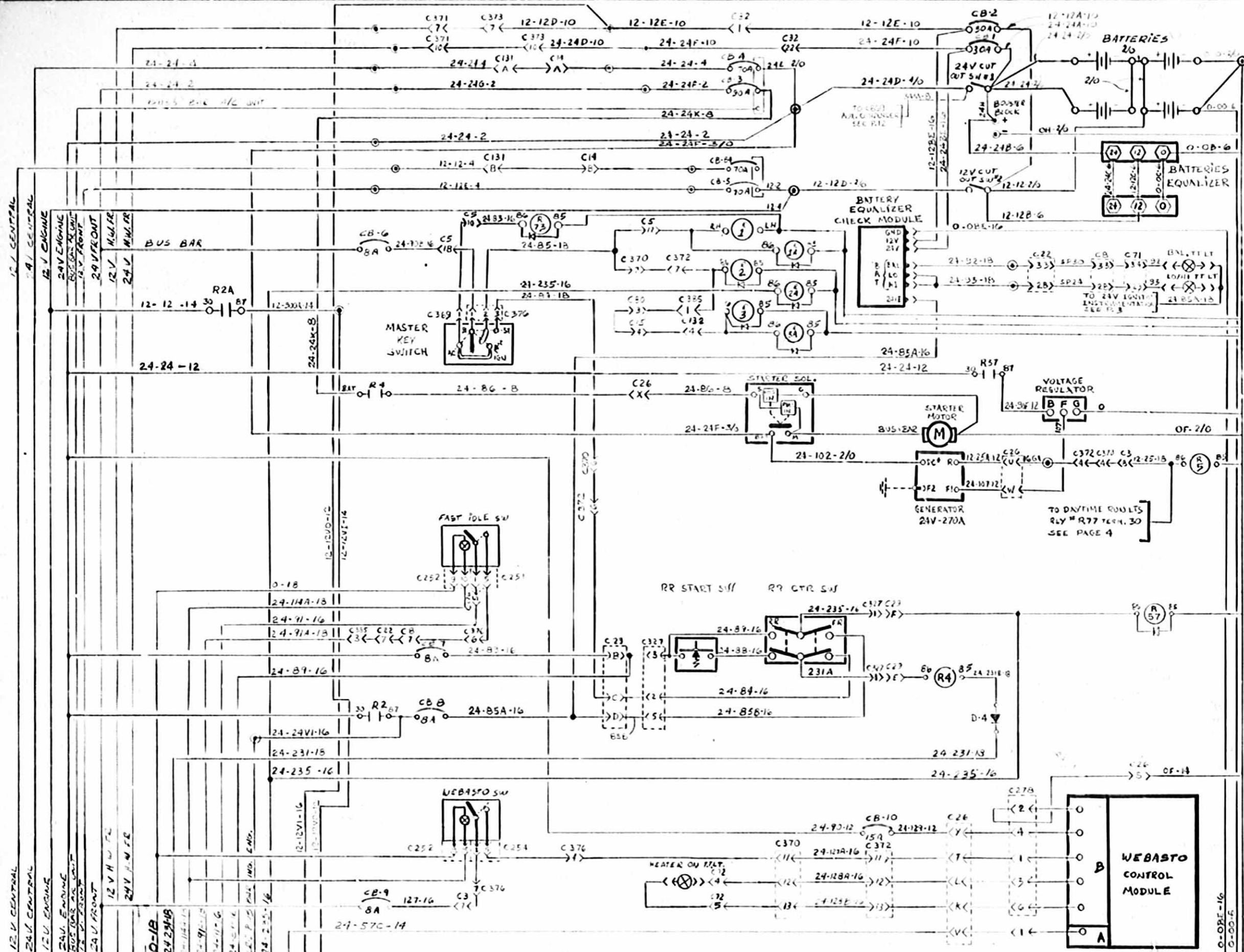
CONNECTOR CODE

CONNECTOR			
C#	LOCATION	DESIGNATION	NO. CAVITY
C1	FR. JCT. BOX COMPT	FR. JCT. BOX TO INTERFACE HARNESS	24
C2	" " " "	" " " "	22
C3	" " " "	" " " "	37
C4	" " " "	" " " "	37
C5	" " " "	" " " "	37
C6	FR. SERVICE COMPT. - UNDERNEATH	FROM ARTICULATION TO INTERFACE HARNESS	37
C7	" " " "	" " " "	24
C8	" " " "	FROM ENGINE JCT BOX TO INTERFACE HARNESS	37
C9	" " " "	" " " "	16
C10			
C11			
C12	ARTICULATION	FROM FR. SERVICE COMPT TO ARTICULATION HARN	24
C13	"	" " " "	37
C14	"	FROM ENG. JCT BOX TO ARTICULATION HARN.	6
C15	"	" " " "	24
C16	FR. SECT. LH HAT RACK - RR	FEED LH HAT RACK ACCESSORIES	9
C17	FR. SECT. RH HAT RACK - RR	FEED RH HAT RACK ACCESSORIES	9
C18			
C19			
C20			
C21			
C22	ENGINE JCT BOX - ENGINE COMPT.	FROM FR. SERVICE COMPT. TO ENGINE JCT. BOX	37
C23			
C24			
C25	ENGINE JCT. BOX - ENGINE COMPT.	ENG. JCT. BOX TO ENGINE CRADLE HARNESS	35
C26	" " " " "	" " " " "	47
C27			
C28	ENGINE JCT. BOX - ENGINE COMPT.	ENG. JCT. BOX TO ENGINE CRADLE HARNESS	26
C29	" " " " "	ENG. JCT. BOX TO ENGINE COMPT. HARNESS	22
C30			
C31	ENGINE JCT. BOX	FROM FR. SERVICE COMPT. TO ENGINE JCT. BOX	16
C32	" " " "	ENG. JCT. BOX TO LUGGAGE COMPT. LTS.	22
C33	ENGINE CRADLE	DDEC POWER COMM. E.C.M.	6
C34	ENGINE CRADLE	DDEC E.C.M.	30
C35			
C36			
C37			
C38			

-CONNECTOR			
C#	LOCATION	DESIGNATION	NO. CAVITY
C39	FR. SECT. LH HAT RACK - RR	FEED LH SPEAKER	2
C40	FR. SECT. RH HAT RACK - RR	FEED RH SPEAKER	2
C41	FR. SECT. RH HAT RACK - RR	FEED RH 110V FLUORESCENT	2
C42	FR. SECT. LH HAT RACK - RR	FEED LH 110V FLUORESCENT	2
C43			
C44	FR. JCT BOX COMPT.	ANTI-SKID E.C.U. MODULE	54
C45	ALARM JCT BOX COMPT.	FEED FR. ROOF ACCESSORIES	24
C46	FR. SERVICE COMPT.	FEED FR. SERVICE COMPT. ACCESSORIES	24
C47	FR. SERVICE COMPT.	FEED HEAD & FOG LAMP	7
C48	FR. AXLE	FEED FR. AXLE ACCESSORIES	22
C49			
C50			
C51			
C52			
C53			
C54	UNDER DASH - LH CORNER	FEED P.A. UNIT	3
C55	UNDER DASH - CENTER	FEED RH SW. PANEL	9
C56	" " " "	FEED RH CONSOLE	24
C57	" " " "	FEED UNDER DASH ACCESSORIES - RH	22
C58	FR. JCT BOX COMPT.	OPTION SLIP DRIVE CONTROL	3
C59	LH CONSOLE	CRUISE ON OFF SW.	8
C60	" "	CRUISE SET SW.	8
C61	" "	CRUISE RESUME SW.	8
C62			
C63			
C64			
C65			
C66			
C67			
C68	ALARM JCT BOX	ALARM JCT. BOX TO INTERFACE HARNESS	16
C69			
C70	ALARM JCT BOX	FEED LH CONSOLE	24
C71	UNDER INSTRUMENT PANEL - LH	FEED INSTRUMENT PANEL - LH	37
C72	UNDER INSTRUMENT PANEL	FEED CENTRAL INSTRUMENT PANEL	37
C73	" " " "	" " " "	16
C74	" " " " RH	FEED INSTRUMENT PANEL RH	24
C75	ALARM JCT BOX COMPT.	FEED FR. ROOF ACCESSORIES	22
C76	FR. SERVICE COMPT.	FROM ENGINE JCT. BOX TO INTERFACE HARNESS	14

DESC:	CONNECTOR CODE		DESS:	D.T.	DATE:	90-01
VER.:	/C		APPR.:	/C		
APPL: EFF. W/L034	REF: H5-60	NO: D-060732 P.H		C		

A	92-04	C44 CAVITY WAS 35 06 92030	K
REV	DATE	REVISION	PAR

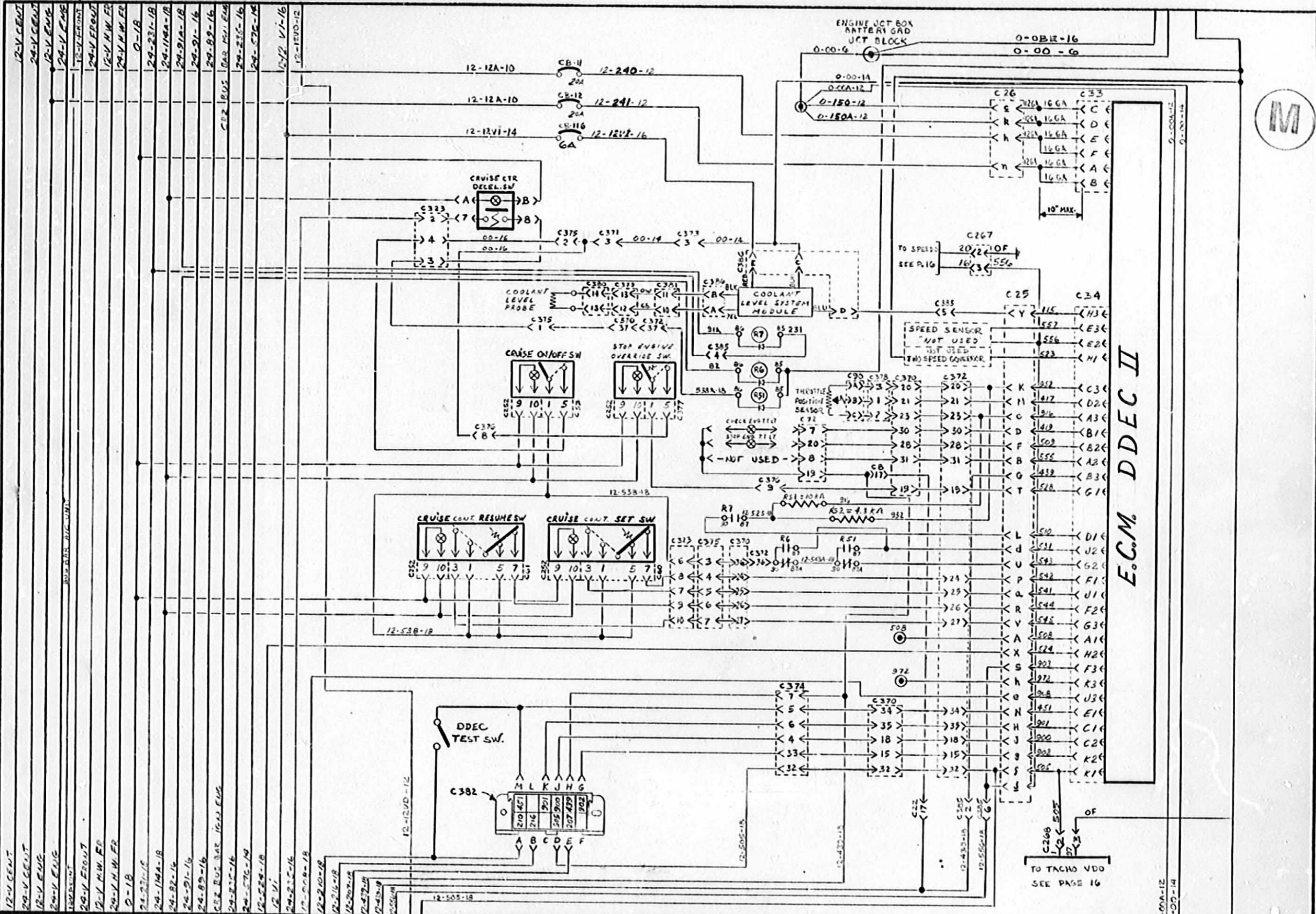


CHARGING SYSTEM

ENGINE CONTROLS

PRE-HEAT WATER HEATER

DESC:			D.E.S.I. D.V.		DATE-90-01	
WIRING DIAGRAM			VER.-		APPR.-	
APPL: EFF. W/L-021 L-013...			REF: H5-60		NO: D-060732 R1 C	
ITEM	DATE	REVISION	PAR			



E.C.M. DDEC II

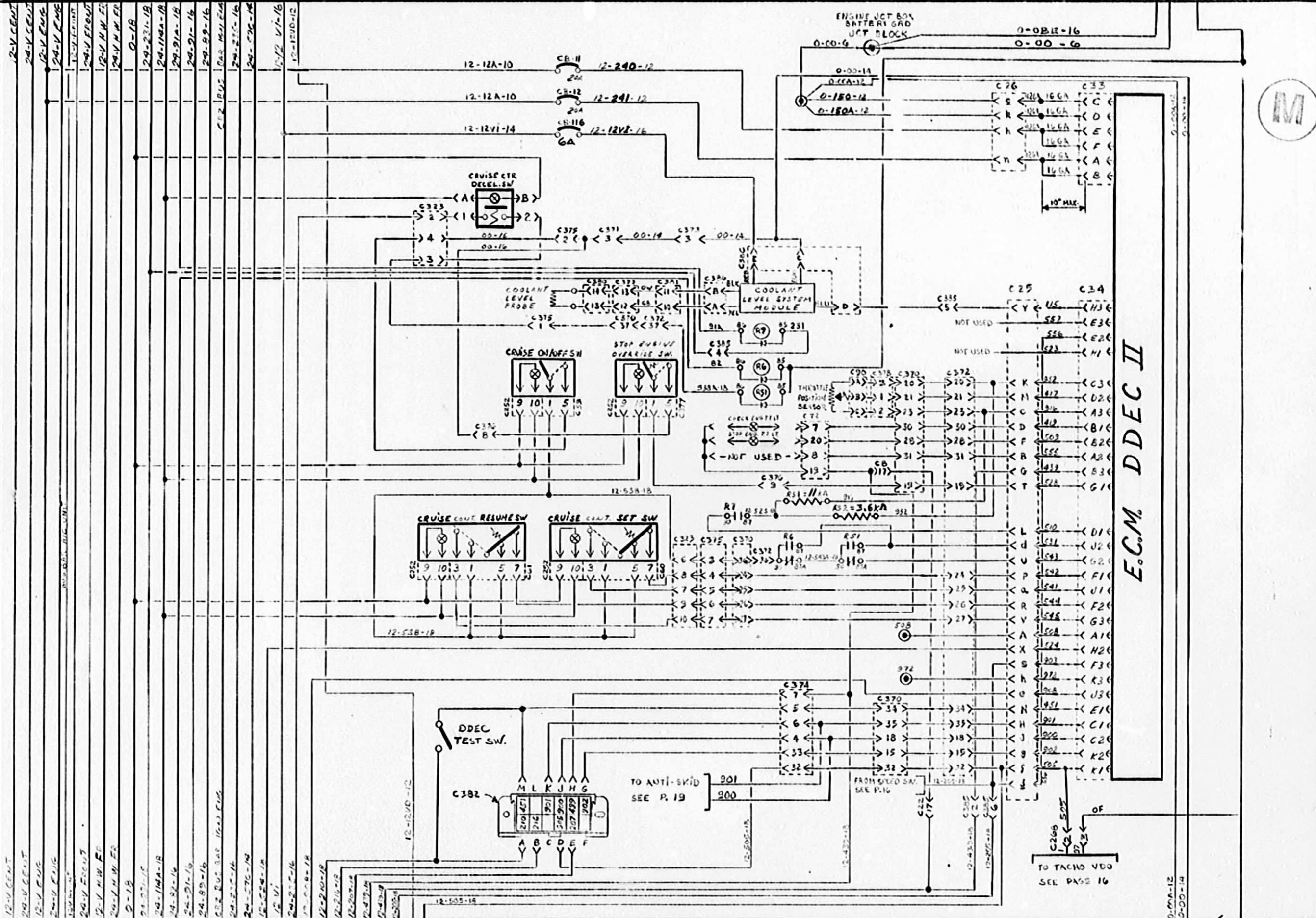
DDEC II WIRING DIAGRAM

DESS: D.T.	DATE: 90-01
VER: C	APPR: [Signature]
NO: D-060732 2/24	C

ITEM: H 70-01	DATE: 02/90	REVISION: 0152 LE SENNER CB116 AVAIL SAME	PAR: SL
---------------	-------------	--	---------

APPL: VER. EFF. L-027
L-033...

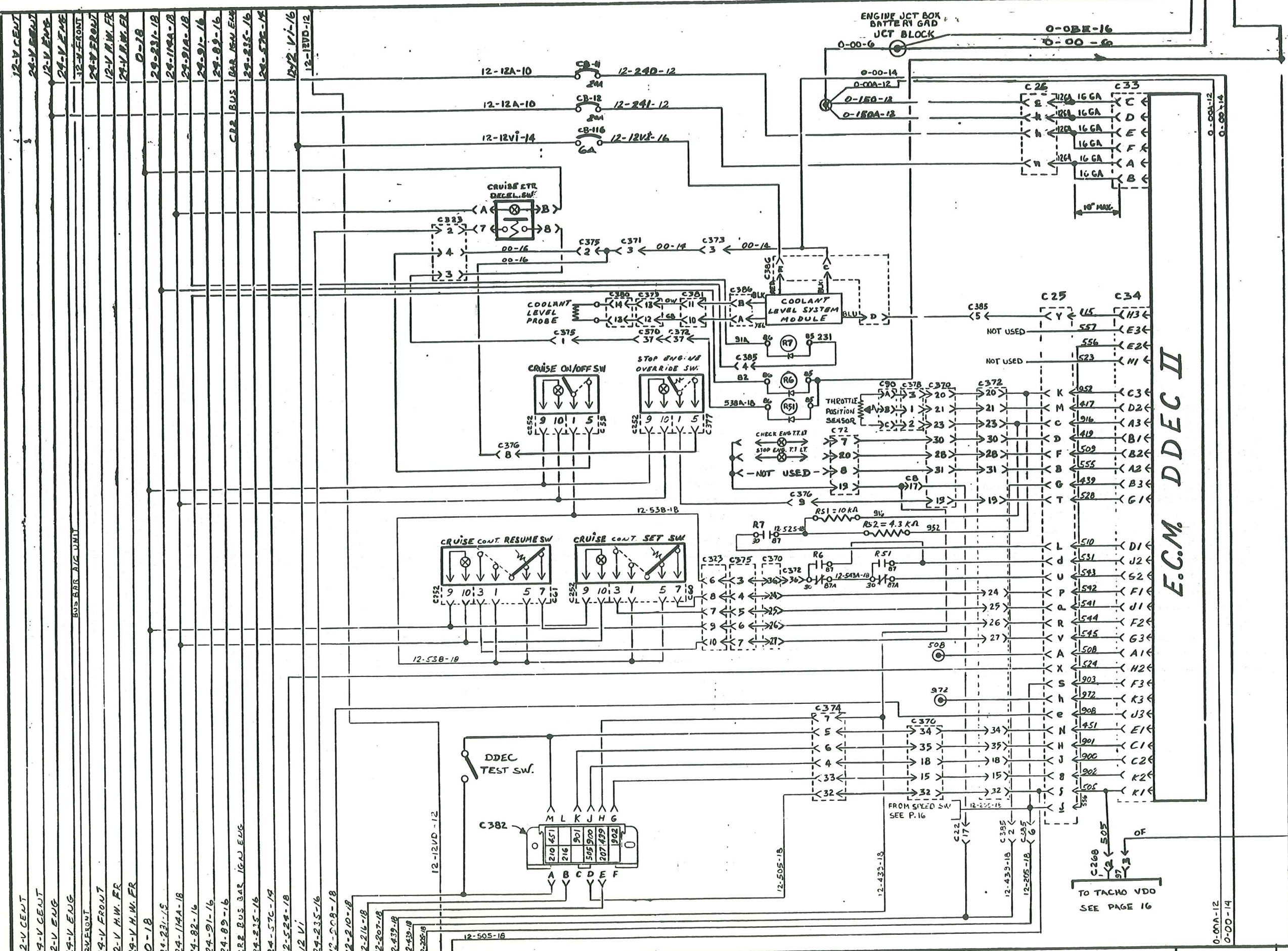
REF: 45-60



E.C.M. DDEC II

DDEC II WIRING DIAGRAM

DATE	92-04	LAWS DC#	92030	APPL:	VEH. EFF. W/11-208	REF:	H5-60	NO:	D-060732 2b/24
ITEM		DATE		APPR:					
DATE	92-04	APPR:		DATE	92-04	APPR:		NO:	D-060732 2b/24



12-V CENT
24-V FRONT
12-V ENG
24-V ENG
12-V FRONT
24-V FRONT
12-V H.W. FR
24-V H.W. FR
O-18
24-231-18
24-114A-18
24-91A-18
24-91-16
24-89-16
CR2 BUS BAR 16A ENG
24-235-16
24-57C-14
12-524-18
12 VI
24-235-16
12-509-18
12-210-18
12-216-18
12-207-18
12-439-18
12-439-18
12-235-18
12-505-16
12-12VD-12
12-538-18
12-505-16
12-439-18
12-505-16

12-12A-10
12-12A-10
12-12VI-14
12-240-12
12-241-12
12-12V2-16
0-00-6
0-00-14
0-00A-12
0-150-12
0-150A-12
C 26
12GA 16 GA
12GA 16 GA
12GA 16 GA
12GA 16 GA
12GA 16 GA
12GA 16 GA
C 33
C
D
E
F
G
H
I
J
K
L
M
N
O
P
Q
R
S
T
U
V
W
X
Y
Z
1
2
3
4
5
6
7
8
9
10
11
12
13
14
15
16
17
18
19
20
21
22
23
24
25
26
27
28
29
30
31
32
33
34
35
36
37
38
39
40
41
42
43
44
45
46
47
48
49
50
51
52
53
54
55
56
57
58
59
60
61
62
63
64
65
66
67
68
69
70
71
72
73
74
75
76
77
78
79
80
81
82
83
84
85
86
87
88
89
90
91
92
93
94
95
96
97
98
99
100
101
102
103
104
105
106
107
108
109
110
111
112
113
114
115
116
117
118
119
120
121
122
123
124
125
126
127
128
129
130
131
132
133
134
135
136
137
138
139
140
141
142
143
144
145
146
147
148
149
150
151
152
153
154
155
156
157
158
159
160
161
162
163
164
165
166
167
168
169
170
171
172
173
174
175
176
177
178
179
180
181
182
183
184
185
186
187
188
189
190
191
192
193
194
195
196
197
198
199
200
201
202
203
204
205
206
207
208
209
210
211
212
213
214
215
216
217
218
219
220
221
222
223
224
225
226
227
228
229
230
231
232
233
234
235
236
237
238
239
240
241
242
243
244
245
246
247
248
249
250
251
252
253
254
255
256
257
258
259
260
261
262
263
264
265
266
267
268
269
270
271
272
273
274
275
276
277
278
279
280
281
282
283
284
285
286
287
288
289
290
291
292
293
294
295
296
297
298
299
300
301
302
303
304
305
306
307
308
309
310
311
312
313
314
315
316
317
318
319
320
321
322
323
324
325
326
327
328
329
330
331
332
333
334
335
336
337
338
339
340
341
342
343
344
345
346
347
348
349
350
351
352
353
354
355
356
357
358
359
360
361
362
363
364
365
366
367
368
369
370
371
372
373
374
375
376
377
378
379
380
381
382
383
384
385
386
387
388
389
390
391
392
393
394
395
396
397
398
399
400
401
402
403
404
405
406
407
408
409
410
411
412
413
414
415
416
417
418
419
420
421
422
423
424
425
426
427
428
429
430
431
432
433
434
435
436
437
438
439
440
441
442
443
444
445
446
447
448
449
450
451
452
453
454
455
456
457
458
459
460
461
462
463
464
465
466
467
468
469
470
471
472
473
474
475
476
477
478
479
480
481
482
483
484
485
486
487
488
489
490
491
492
493
494
495
496
497
498
499
500
501
502
503
504
505
506
507
508
509
510
511
512
513
514
515
516
517
518
519
520
521
522
523
524
525
526
527
528
529
530
531
532
533
534
535
536
537
538
539
540
541
542
543
544
545
546
547
548
549
550
551
552
553
554
555
556
557
558
559
560
561
562
563
564
565
566
567
568
569
570
571
572
573
574
575
576
577
578
579
580
581
582
583
584
585
586
587
588
589
590
591
592
593
594
595
596
597
598
599
600
601
602
603
604
605
606
607
608
609
610
611
612
613
614
615
616
617
618
619
620
621
622
623
624
625
626
627
628
629
630
631
632
633
634
635
636
637
638
639
640
641
642
643
644
645
646
647
648
649
650
651
652
653
654
655
656
657
658
659
660
661
662
663
664
665
666
667
668
669
670
671
672
673
674
675
676
677
678
679
680
681
682
683
684
685
686
687
688
689
690
691
692
693
694
695
696
697
698
699
700
701
702
703
704
705
706
707
708
709
710
711
712
713
714
715
716
717
718
719
720
721
722
723
724
725
726
727
728
729
730
731
732
733
734
735
736
737
738
739
740
741
742
743
744
745
746
747
748
749
750
751
752
753
754
755
756
757
758
759
760
761
762
763
764
765
766
767
768
769
770
771
772
773
774
775
776
777
778
779
780
781
782
783
784
785
786
787
788
789
790
791
792
793
794
795
796
797
798
799
800
801
802
803
804
805
806
807
808
809
810
811
812
813
814
815
816
817
818
819
820
821
822
823
824
825
826
827
828
829
830
831
832
833
834
835
836
837
838
839
840
841
842
843
844
845
846
847
848
849
850
851
852
853
854
855
856
857
858
859
860
861
862
863
864
865
866
867
868
869
870
871
872
873
874
875
876
877
878
879
880
881
882
883
884
885
886
887
888
889
890
891
892
893
894
895
896
897
898
899
900
901
902
903
904
905
906
907
908
909
910
911
912
913
914
915
916
917
918
919
920
921
922
923
924
925
926
927
928
929
930
931
932
933
934
935
936
937
938
939
940
941
942
943
944
945
946
947
948
949
950
951
952
953
954
955
956
957
958
959
960
961
962
963
964
965
966
967
968
969
970
971
972
973
974
975
976
977
978
979
980
981
982
983
984
985
986
987
988
989
990
991
992
993
994
995
996
997
998
999
1000

1.5"
1"

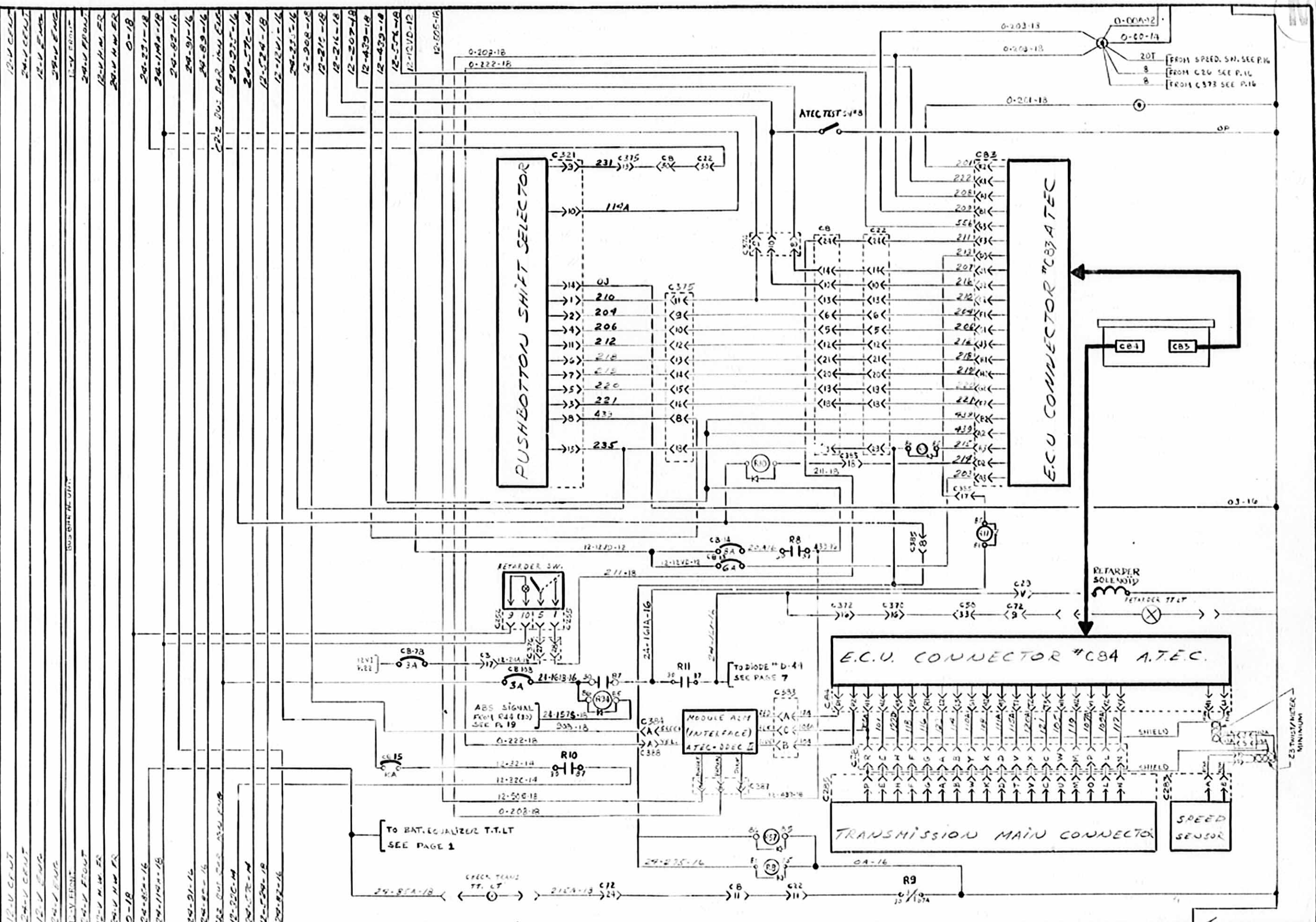
11
58
8.5"
11"

E.C.M. DDEC II

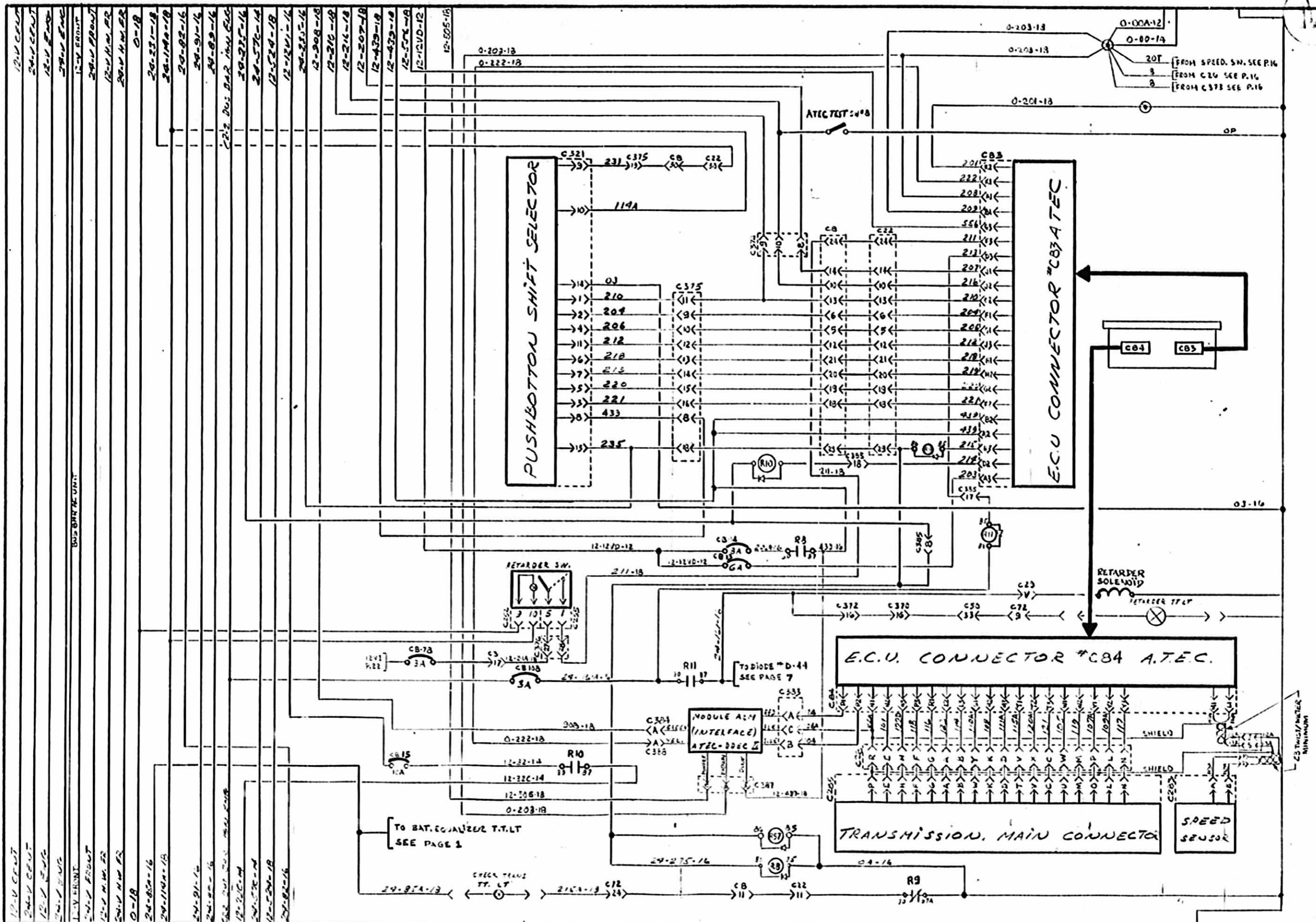
DESS: D.V.	DATE: 90-01
VER: C	APPR: [Signature]
NO: D-060732 2/24 C	

ITEM	DATE	REVISION	PAR
C	91-06	PRIOR OC# 91084	MZ
B	90-12	MISE A JOUR O.C. 90201A	DV
A	90-04	0490152 LE BREAKER CABLE AVANT 5AMP	[Signature]

APPL: VEH. EFF. L-027	PRIOR TO: N-168	REF: H5-60
L-033...		

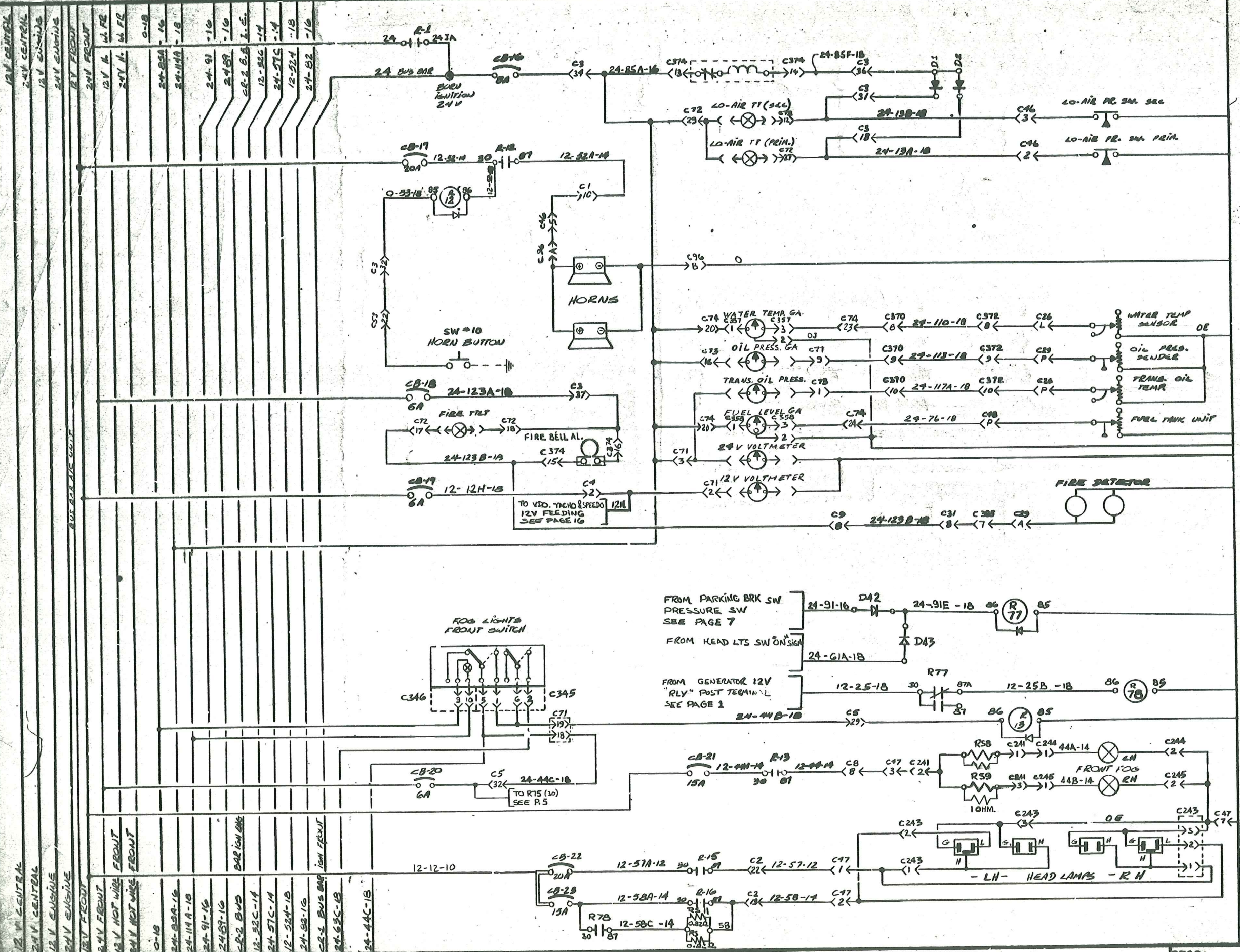


12-V. CABT	24-V. CABT	12-V. ENG.	24-V. ENG.	12-V. FRONT	24-V. FRONT	12-V. H.W. FR.	24-V. H.W. FR.	12-V. H.W. SR.	24-V. H.W. SR.	0-18	24-231-18	24-199-18	24-82-16	24-91-16	24-89-16	24-201-16	24-202-16	24-203-18	24-204-18	24-205-18	24-206-18	24-207-18	24-208-18	24-209-18	24-210-18	24-211-18	24-212-18	24-213-18	24-214-18	24-215-18	24-216-18	24-217-18	24-218-18	24-219-18	24-220-18	24-221-18	24-222-18	24-223-18	24-224-18	24-225-18	24-226-18	24-227-18	24-228-18	24-229-18	24-230-18	24-231-18	24-232-18	24-233-18	24-234-18	24-235-18	24-236-18	24-237-18	24-238-18	24-239-18	24-240-18	24-241-18	24-242-18	24-243-18	24-244-18	24-245-18	24-246-18	24-247-18	24-248-18	24-249-18	24-250-18	24-251-18	24-252-18	24-253-18	24-254-18	24-255-18	24-256-18	24-257-18	24-258-18	24-259-18	24-260-18	24-261-18	24-262-18	24-263-18	24-264-18	24-265-18	24-266-18	24-267-18	24-268-18	24-269-18	24-270-18	24-271-18	24-272-18	24-273-18	24-274-18	24-275-18	24-276-18	24-277-18	24-278-18	24-279-18	24-280-18	24-281-18	24-282-18	24-283-18	24-284-18	24-285-18	24-286-18	24-287-18	24-288-18	24-289-18	24-290-18	24-291-18	24-292-18	24-293-18	24-294-18	24-295-18	24-296-18	24-297-18	24-298-18	24-299-18	24-300-18	24-301-18	24-302-18	24-303-18	24-304-18	24-305-18	24-306-18	24-307-18	24-308-18	24-309-18	24-310-18	24-311-18	24-312-18	24-313-18	24-314-18	24-315-18	24-316-18	24-317-18	24-318-18	24-319-18	24-320-18	24-321-18	24-322-18	24-323-18	24-324-18	24-325-18	24-326-18	24-327-18	24-328-18	24-329-18	24-330-18	24-331-18	24-332-18	24-333-18	24-334-18	24-335-18	24-336-18	24-337-18	24-338-18	24-339-18	24-340-18	24-341-18	24-342-18	24-343-18	24-344-18	24-345-18	24-346-18	24-347-18	24-348-18	24-349-18	24-350-18	24-351-18	24-352-18	24-353-18	24-354-18	24-355-18	24-356-18	24-357-18	24-358-18	24-359-18	24-360-18	24-361-18	24-362-18	24-363-18	24-364-18	24-365-18	24-366-18	24-367-18	24-368-18	24-369-18	24-370-18	24-371-18	24-372-18	24-373-18	24-374-18	24-375-18	24-376-18	24-377-18	24-378-18	24-379-18	24-380-18	24-381-18	24-382-18	24-383-18	24-384-18	24-385-18	24-386-18	24-387-18	24-388-18	24-389-18	24-390-18	24-391-18	24-392-18	24-393-18	24-394-18	24-395-18	24-396-18	24-397-18	24-398-18	24-399-18	24-400-18	24-401-18	24-402-18	24-403-18	24-404-18	24-405-18	24-406-18	24-407-18	24-408-18	24-409-18	24-410-18	24-411-18	24-412-18	24-413-18	24-414-18	24-415-18	24-416-18	24-417-18	24-418-18	24-419-18	24-420-18	24-421-18	24-422-18	24-423-18	24-424-18	24-425-18	24-426-18	24-427-18	24-428-18	24-429-18	24-430-18	24-431-18	24-432-18	24-433-18	24-434-18	24-435-18	24-436-18	24-437-18	24-438-18	24-439-18	24-440-18	24-441-18	24-442-18	24-443-18	24-444-18	24-445-18	24-446-18	24-447-18	24-448-18	24-449-18	24-450-18	24-451-18	24-452-18	24-453-18	24-454-18	24-455-18	24-456-18	24-457-18	24-458-18	24-459-18	24-460-18	24-461-18	24-462-18	24-463-18	24-464-18	24-465-18	24-466-18	24-467-18	24-468-18	24-469-18	24-470-18	24-471-18	24-472-18	24-473-18	24-474-18	24-475-18	24-476-18	24-477-18	24-478-18	24-479-18	24-480-18	24-481-18	24-482-18	24-483-18	24-484-18	24-485-18	24-486-18	24-487-18	24-488-18	24-489-18	24-490-18	24-491-18	24-492-18	24-493-18	24-494-18	24-495-18	24-496-18	24-497-18	24-498-18	24-499-18	24-500-18	24-501-18	24-502-18	24-503-18	24-504-18	24-505-18	24-506-18	24-507-18	24-508-18	24-509-18	24-510-18	24-511-18	24-512-18	24-513-18	24-514-18	24-515-18	24-516-18	24-517-18	24-518-18	24-519-18	24-520-18	24-521-18	24-522-18	24-523-18	24-524-18	24-525-18	24-526-18	24-527-18	24-528-18	24-529-18	24-530-18	24-531-18	24-532-18	24-533-18	24-534-18	24-535-18	24-536-18	24-537-18	24-538-18	24-539-18	24-540-18	24-541-18	24-542-18	24-543-18	24-544-18	24-545-18	24-546-18	24-547-18	24-548-18	24-549-18	24-550-18	24-551-18	24-552-18	24-553-18	24-554-18	24-555-18	24-556-18	24-557-18	24-558-18	24-559-18	24-560-18	24-561-18	24-562-18	24-563-18	24-564-18	24-565-18	24-566-18	24-567-18	24-568-18	24-569-18	24-570-18	24-571-18	24-572-18	24-573-18	24-574-18	24-575-18	24-576-18	24-577-18	24-578-18	24-579-18	24-580-18	24-581-18	24-582-18	24-583-18	24-584-18	24-585-18	24-586-18	24-587-18	24-588-18	24-589-18	24-590-18	24-591-18	24-592-18	24-593-18	24-594-18	24-595-18	24-596-18	24-597-18	24-598-18	24-599-18	24-600-18	24-601-18	24-602-18	24-603-18	24-604-18	24-605-18	24-606-18	24-607-18	24-608-18	24-609-18	24-610-18	24-611-18	24-612-18	24-613-18	24-614-18	24-615-18	24-616-18	24-617-18	24-618-18	24-619-18	24-620-18	24-621-18	24-622-18	24-623-18	24-624-18	24-625-18	24-626-18	24-627-18	24-628-18	24-629-18	24-630-18	24-631-18	24-632-18	24-633-18	24-634-18	24-635-18	24-636-18	24-637-18	24-638-18	24-639-18	24-640-18	24-641-18	24-642-18	24-643-18	24-644-18	24-645-18	24-646-18	24-647-18	24-648-18	24-649-18	24-650-18	24-651-18	24-652-18	24-653-18	24-654-18	24-655-18	24-656-18	24-657-18	24-658-18	24-659-18	24-660-18	24-661-18	24-662-18	24-663-18	24-664-18	24-665-18	24-666-18	24-667-18	24-668-18	24-669-18	24-670-18	24-671-18	24-672-18	24-673-18	24-674-18	24-675-18	24-676-18	24-677-18	24-678-18	24-679-18	24-680-18	24-681-18	24-682-18	24-683-18	24-684-18	24-685-18	24-686-18	24-687-18	24-688-18	24-689-18	24-690-18	24-691-18	24-692-18	24-693-18	24-694-18	24-695-18	24-696-18	24-697-18	24-698-18	24-699-18	24-700-18	24-701-18	24-702-18	24-703-18	24-704-18	24-705-18	24-706-18	24-707-18	24-708-18	24-709-18	24-710-18	24-711-18	24-712-18	24-713-18	24-714-18	24-715-18	24-716-18	24-717-18	24-718-18	24-719-18	24-720-18	24-721-18	24-722-18	24-723-18	24-724-18	24-725-18	24-726-18	24-727-18	24-728-18	24-729-18	24-730-18	24-731-18	24-732-18	24-733-18	24-734-18	24-735-18	24-736-18	24-737-18	24-738-18	24-739-18	24-740-18	24-741-18	24-742-18	24-743-18	24-744-18	24-745-18	24-746-18	24-747-18	24-748-18	24-749-18	24-750-18	24-751-18	24-752-18	24-753-18	24-754-18	24-755-18	24-756-18	24-757-18	24-758-18	24-759-18	24-760-18	24-761-18	24-762-18	24-763-18	24-764-18	24-765-18	24-766-18	24-767-18	24-768-18	24-769-18	24-770-18	24-771-18	24-772-18	24-773-18	24-774-18	24-775-18	24-776-18	24-777-18	24-778-18	24-779-18	24-780-18	24-781-18	24-782-18	24-783-18	24-784-18	24-785-18	24-786-18	24-787-18	24-788-18	24-789-18	24-790-18	24-791-18	24-792-18	24-793-18	24-794-18	24-795-18	24-796-18	24-797-18	24-798-18	24-799-18	24-800-18	24-801-18	24-802-18	24-803-18	24-804-18	24-805-18	24-806-18	24-807-18	24-808-18	24-809-18	24-810-18	24-811-18	24-812-18	24-813-18	24-814-18	24-815-18	24-816-18	24-817-18	24-818-18	24-819-18	24-820-18	24-821-18	24-822-18	24-823-18	24-824-18	24-825-18	24-826-18	24-827-18	24-828-18	24-829-18	24-830-18	24-831-18	24-832-18	24-833-18	24-834-18	24-835-18	24-836-18	24-837-18	24-838-18	24-839-18	24-840-18	24-841-18	24-842-18	24-843-18	24-844-18	24-845-18	24-846-18	24-847-18	24-848-18	24-849-18	24-850-18	24-851-18	24-852-18	24-853-18	24-854-18	24-855-18	24-856-18	24-857-18	24-858-18	24-859-18	24-860-18	24-861-18	24-862-18	24-863-18	24-864-18	24-865-18	24-866-18	24-867-18	24-868-18	24-869-18	24-870-18	24-871-18	24-872-18	24-873-18	24-874-18	24-875-18	24-876-18	24-877-18	24-878-18	24-879-18	24-880-18	24-881-18	24-882-18	24-883-18	24-884-18	24-885-18	24-886-18	24-887-18	24-888-18	24-889-18	24-890-18	24-891-18	24-892-18	24-893-18	24-894-18	24-895-18	24-896-18	24-897-18	24-898-18	24-899-18	24-900-18	24-901-18	24-902-18	24-903-18	24-904-18	24-905-18	24-906-18	24-907-18	24-908-18	24-909-18	24-910-18	24-911-18	24-912-18	24-913-18	24-914-18	24-915-18	24-916-18	24-917-18	24-918-18	24-919-18	24-920-18	24-921-18	24-922-18	24-923-18	24-924-18	24-925-18	24-926-18	24-927-18	24-928-18	24-929-18	24-930-18	24-931-18	24-932-18	24-933-18	24-934-18	24-935-18	24-936-18	24-937-18	24-938-18	24-939-18	24-940-18	24-941-18	24-942-18	24-943-18	24-944-18	24-945-18	24-946-18	24-947-18	24-948-18	24-949-18	24-950-18	24-951-18	24-952-18	24-953-18</
------------	------------	------------	------------	-------------	-------------	----------------	----------------	----------------	----------------	------	-----------	-----------	----------	----------	----------	-----------	-----------	-----------	-----------	-----------	-----------	-----------	-----------	-----------	-----------	-----------	-----------	-----------	-----------	-----------	-----------	-----------	-----------	-----------	-----------	-----------	-----------	-----------	-----------	-----------	-----------	-----------	-----------	-----------	-----------	-----------	-----------	-----------	-----------	-----------	-----------	-----------	-----------	-----------	-----------	-----------	-----------	-----------	-----------	-----------	-----------	-----------	-----------	-----------	-----------	-----------	-----------	-----------	-----------	-----------	-----------	-----------	-----------	-----------	-----------	-----------	-----------	-----------	-----------	-----------	-----------	-----------	-----------	-----------	-----------	-----------	-----------	-----------	-----------	-----------	-----------	-----------	-----------	-----------	-----------	-----------	-----------	-----------	-----------	-----------	-----------	-----------	-----------	-----------	-----------	-----------	-----------	-----------	-----------	-----------	-----------	-----------	-----------	-----------	-----------	-----------	-----------	-----------	-----------	-----------	-----------	-----------	-----------	-----------	-----------	-----------	-----------	-----------	-----------	-----------	-----------	-----------	-----------	-----------	-----------	-----------	-----------	-----------	-----------	-----------	-----------	-----------	-----------	-----------	-----------	-----------	-----------	-----------	-----------	-----------	-----------	-----------	-----------	-----------	-----------	-----------	-----------	-----------	-----------	-----------	-----------	-----------	-----------	-----------	-----------	-----------	-----------	-----------	-----------	-----------	-----------	-----------	-----------	-----------	-----------	-----------	-----------	-----------	-----------	-----------	-----------	-----------	-----------	-----------	-----------	-----------	-----------	-----------	-----------	-----------	-----------	-----------	-----------	-----------	-----------	-----------	-----------	-----------	-----------	-----------	-----------	-----------	-----------	-----------	-----------	-----------	-----------	-----------	-----------	-----------	-----------	-----------	-----------	-----------	-----------	-----------	-----------	-----------	-----------	-----------	-----------	-----------	-----------	-----------	-----------	-----------	-----------	-----------	-----------	-----------	-----------	-----------	-----------	-----------	-----------	-----------	-----------	-----------	-----------	-----------	-----------	-----------	-----------	-----------	-----------	-----------	-----------	-----------	-----------	-----------	-----------	-----------	-----------	-----------	-----------	-----------	-----------	-----------	-----------	-----------	-----------	-----------	-----------	-----------	-----------	-----------	-----------	-----------	-----------	-----------	-----------	-----------	-----------	-----------	-----------	-----------	-----------	-----------	-----------	-----------	-----------	-----------	-----------	-----------	-----------	-----------	-----------	-----------	-----------	-----------	-----------	-----------	-----------	-----------	-----------	-----------	-----------	-----------	-----------	-----------	-----------	-----------	-----------	-----------	-----------	-----------	-----------	-----------	-----------	-----------	-----------	-----------	-----------	-----------	-----------	-----------	-----------	-----------	-----------	-----------	-----------	-----------	-----------	-----------	-----------	-----------	-----------	-----------	-----------	-----------	-----------	-----------	-----------	-----------	-----------	-----------	-----------	-----------	-----------	-----------	-----------	-----------	-----------	-----------	-----------	-----------	-----------	-----------	-----------	-----------	-----------	-----------	-----------	-----------	-----------	-----------	-----------	-----------	-----------	-----------	-----------	-----------	-----------	-----------	-----------	-----------	-----------	-----------	-----------	-----------	-----------	-----------	-----------	-----------	-----------	-----------	-----------	-----------	-----------	-----------	-----------	-----------	-----------	-----------	-----------	-----------	-----------	-----------	-----------	-----------	-----------	-----------	-----------	-----------	-----------	-----------	-----------	-----------	-----------	-----------	-----------	-----------	-----------	-----------	-----------	-----------	-----------	-----------	-----------	-----------	-----------	-----------	-----------	-----------	-----------	-----------	-----------	-----------	-----------	-----------	-----------	-----------	-----------	-----------	-----------	-----------	-----------	-----------	-----------	-----------	-----------	-----------	-----------	-----------	-----------	-----------	-----------	-----------	-----------	-----------	-----------	-----------	-----------	-----------	-----------	-----------	-----------	-----------	-----------	-----------	-----------	-----------	-----------	-----------	-----------	-----------	-----------	-----------	-----------	-----------	-----------	-----------	-----------	-----------	-----------	-----------	-----------	-----------	-----------	-----------	-----------	-----------	-----------	-----------	-----------	-----------	-----------	-----------	-----------	-----------	-----------	-----------	-----------	-----------	-----------	-----------	-----------	-----------	-----------	-----------	-----------	-----------	-----------	-----------	-----------	-----------	-----------	-----------	-----------	-----------	-----------	-----------	-----------	-----------	-----------	-----------	-----------	-----------	-----------	-----------	-----------	-----------	-----------	-----------	-----------	-----------	-----------	-----------	-----------	-----------	-----------	-----------	-----------	-----------	-----------	-----------	-----------	-----------	-----------	-----------	-----------	-----------	-----------	-----------	-----------	-----------	-----------	-----------	-----------	-----------	-----------	-----------	-----------	-----------	-----------	-----------	-----------	-----------	-----------	-----------	-----------	-----------	-----------	-----------	-----------	-----------	-----------	-----------	-----------	-----------	-----------	-----------	-----------	-----------	-----------	-----------	-----------	-----------	-----------	-----------	-----------	-----------	-----------	-----------	-----------	-----------	-----------	-----------	-----------	-----------	-----------	-----------	-----------	-----------	-----------	-----------	-----------	-----------	-----------	-----------	-----------	-----------	-----------	-----------	-----------	-----------	-----------	-----------	-----------	-----------	-----------	-----------	-----------	-----------	-----------	-----------	-----------	-----------	-----------	-----------	-----------	-----------	-----------	-----------	-----------	-----------	-----------	-----------	-----------	-----------	-----------	-----------	-----------	-----------	-----------	-----------	-----------	-----------	-----------	-----------	-----------	-----------	-----------	-----------	-----------	-----------	-----------	-----------	-----------	-----------	-----------	-----------	-----------	-----------	-----------	-----------	-----------	-----------	-----------	-----------	-----------	-----------	-----------	-----------	-----------	-----------	-----------	-----------	-----------	-----------	-----------	-----------	-----------	-----------	-----------	-----------	-----------	-----------	-----------	-----------	-----------	-----------	-----------	-----------	-----------	-----------	-----------	-----------	-----------	-----------	-----------	-----------	-----------	-----------	-----------	-----------	-----------	-----------	-----------	-----------	-----------	-----------	-----------	-----------	-----------	-----------	-----------	-----------	-----------	-----------	-----------	-----------	-----------	-----------	-----------	-----------	-----------	-----------	-----------	-----------	-----------	-----------	-----------	-----------	-----------	-----------	-----------	-----------	-----------	-----------	-----------	-----------	-----------	-----------	-----------	-----------	-----------	-----------	-----------	-----------	-----------	-----------	-----------	-----------	-----------	-----------	-----------	-----------	-----------	-----------	-----------	-----------	-----------	-----------	-----------	-----------	-----------	-----------	-----------	-----------	-----------	-----------	-----------	-----------	-----------	-----------	-----------	-----------	-----------	-----------	-----------	-----------	-----------	-----------	-----------	-----------	-----------	-------------



REV	DATE	REVISION	DESC :	APPL:	REF:	NO:
C	92-04	PRIOR V-208 ROUTE	ATEC WIRING DIAGRAM	VEH. EFF	H5-60	D-060732 3/24
B	90-12	MISE A JOUR OC. 90201A				
A	90-07	REPARATION LE BRANLE				
		CB13 RINLE SA				

DESS: D.T.
 VER: KC
 DATE: 90-01
 APPR: [Signature]
 NO: D-060732 3/24



ALARM & SIGNAL

FOG LTS

EXTERIOR LIGHTING

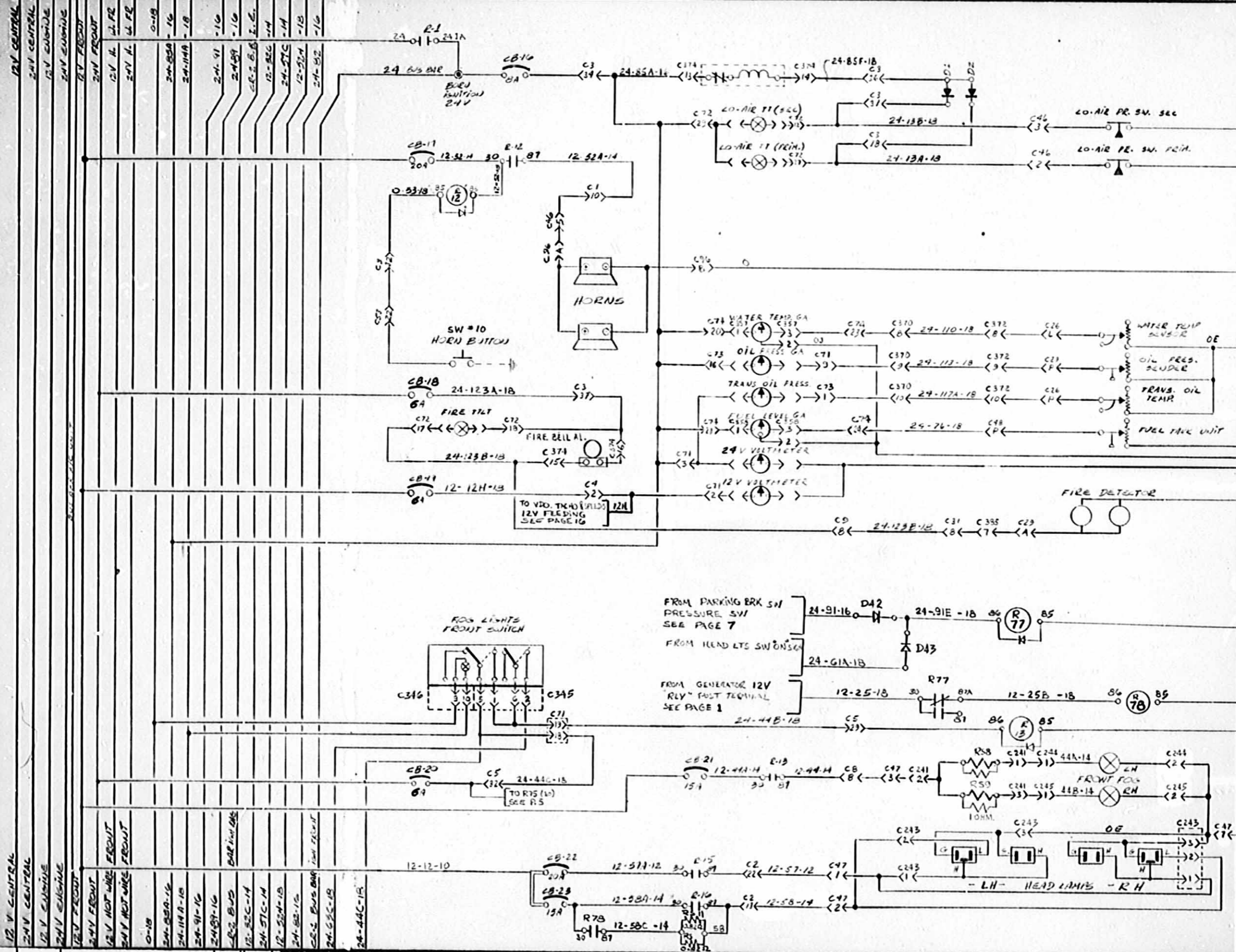
HEAD LTS

WIRING DIAGRAM

DESS: S.L. DATE: 90-11
 VER: KC APPR: [Signature]
 NO: D-060732 P.4a

A 90-11 LANCE EFF. W/ [Signature] SL
 ITEM DATE REVISION PAR APPL EFF. W/M-170

REF: HS-60



ALARM & SIGNAL

FOG LTS

EXTERIOR LIGHTING

HEAD LTS

B	90-09	0690152 LES BILAKRES CB10, CB11, CB20 AVAIENT SA	SL
B	90-09	(0690154) LE BREAKER AVAIT 10A & ALIMENT. 24VOLT	SL
A	90/06	MISE A JOUR	M/.
ITEM	DATE	REVISION	PAR

WIRING DIAGRAM

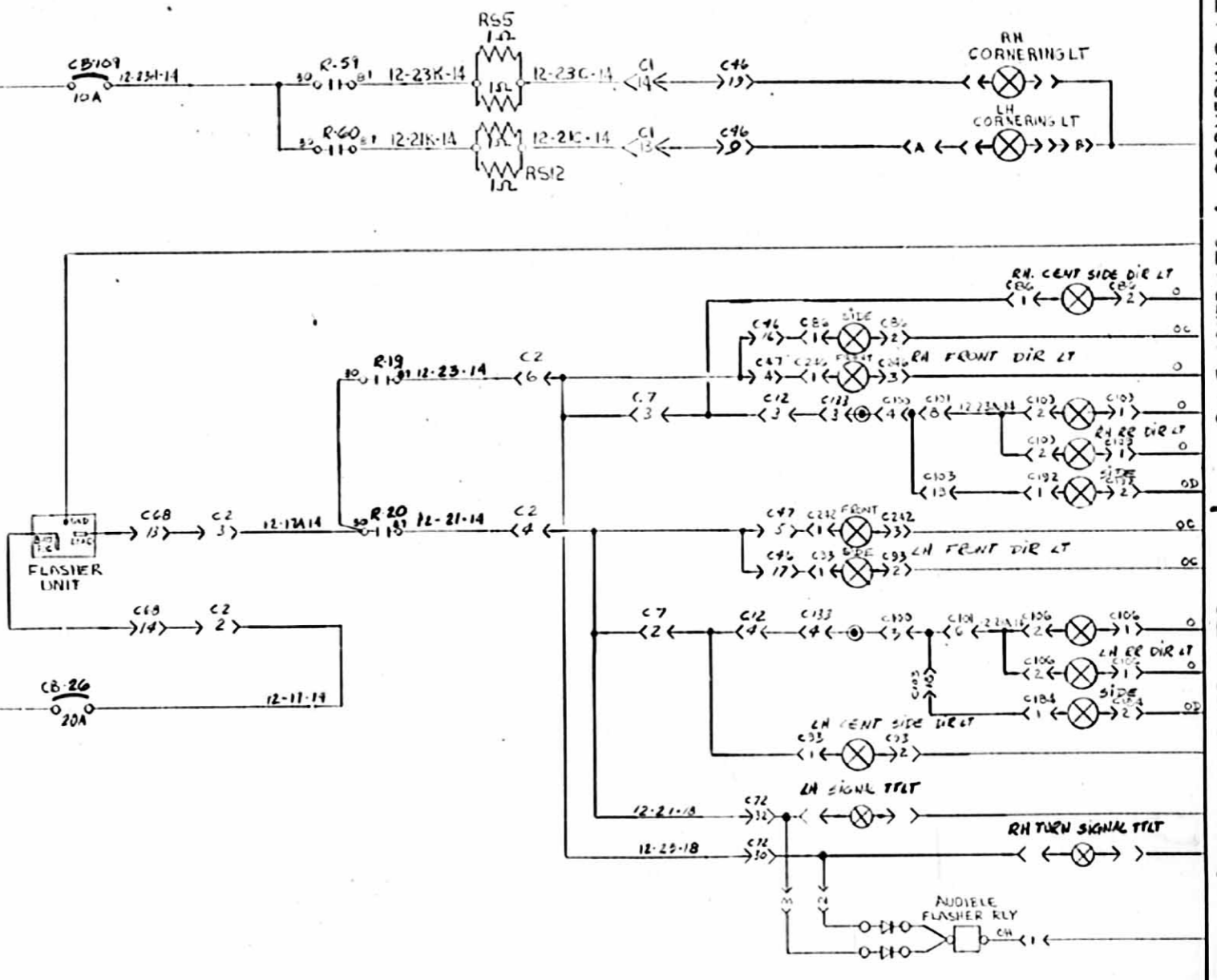
APPL: EFF. W/L 047
L-033..4

REF: H5-60

DESS: D.T.	DATE: 90-01
VER: <i>lc</i>	APPR: <i>lc</i>
NO: D-060732 P.4 C	



12V CENTRAL	12V CENTRAL
24V CENTRAL	24V CENTRAL
12V ENGINE	12V ENGINE
24V ENGINE	24V ENGINE
12V FRONT	12V FRONT
24V FRONT	24V FRONT
12V HOT WIRE FRONT	12V HOT WIRE FRONT
24V HOT WIRE FRONT	24V HOT WIRE FRONT
0-18	0-18
24-85A-16	24-85A-16
24-114A-13	24-114A-13
24-91-16	24-91-16
24-89-16	24-89-16
CR2 BUS BAR ION ENG	CR2 BUS BAR ION ENG
12-32C-14	12-32C-14
24-57C-14	24-57C-14
12-224-15	12-224-15
24-52-16	24-52-16
CR1 BUS BAR ION FE	CR1 BUS BAR ION FE



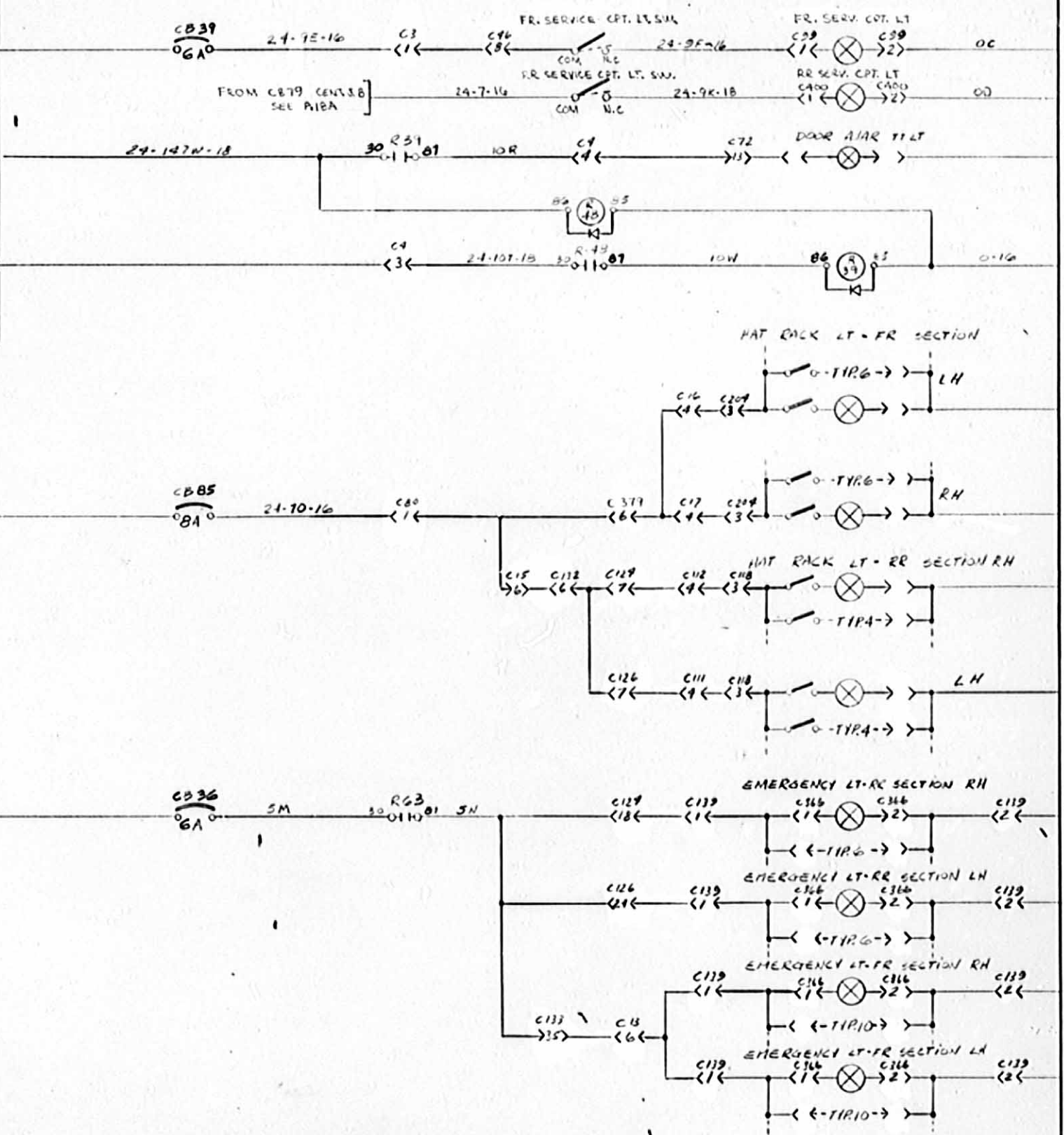
CORNERING LTS
RH FLASHER LTS
LH FLASHER LTS
EXTERIOR LIGHTING

12V CENTRAL	12V CENTRAL
24V CENTRAL	24V CENTRAL
12V ENGINE	12V ENGINE
24V ENGINE	24V ENGINE
12V FRONT	12V FRONT
24V FRONT	24V FRONT
12V HOT WIRE FRONT	12V HOT WIRE FRONT
24V HOT WIRE FRONT	24V HOT WIRE FRONT
0-18	0-18
24-85A-16	24-85A-16
24-114A-13	24-114A-13
24-91-16	24-91-16
24-89-16	24-89-16
CR2 BUS BAR ION ENG	CR2 BUS BAR ION ENG
12-32C-14	12-32C-14
24-57C-14	24-57C-14
12-224-15	12-224-15
24-52-16	24-52-16
CR1 BUS BAR ION FE	CR1 BUS BAR ION FE

DESC:	WIRING DIAGRAM		DESS:	B.C.	DATE:	90-01
APPL:	W/L027, L033...		VER.:	KC	APPR.:	[Signature]
REF:	H5-60		NO:	D-060732		9/44 C
ITEM DATE:	90/09	REVISION:	PAR:	AUDIBLE FLASHER RLY ASSY 06-92187		



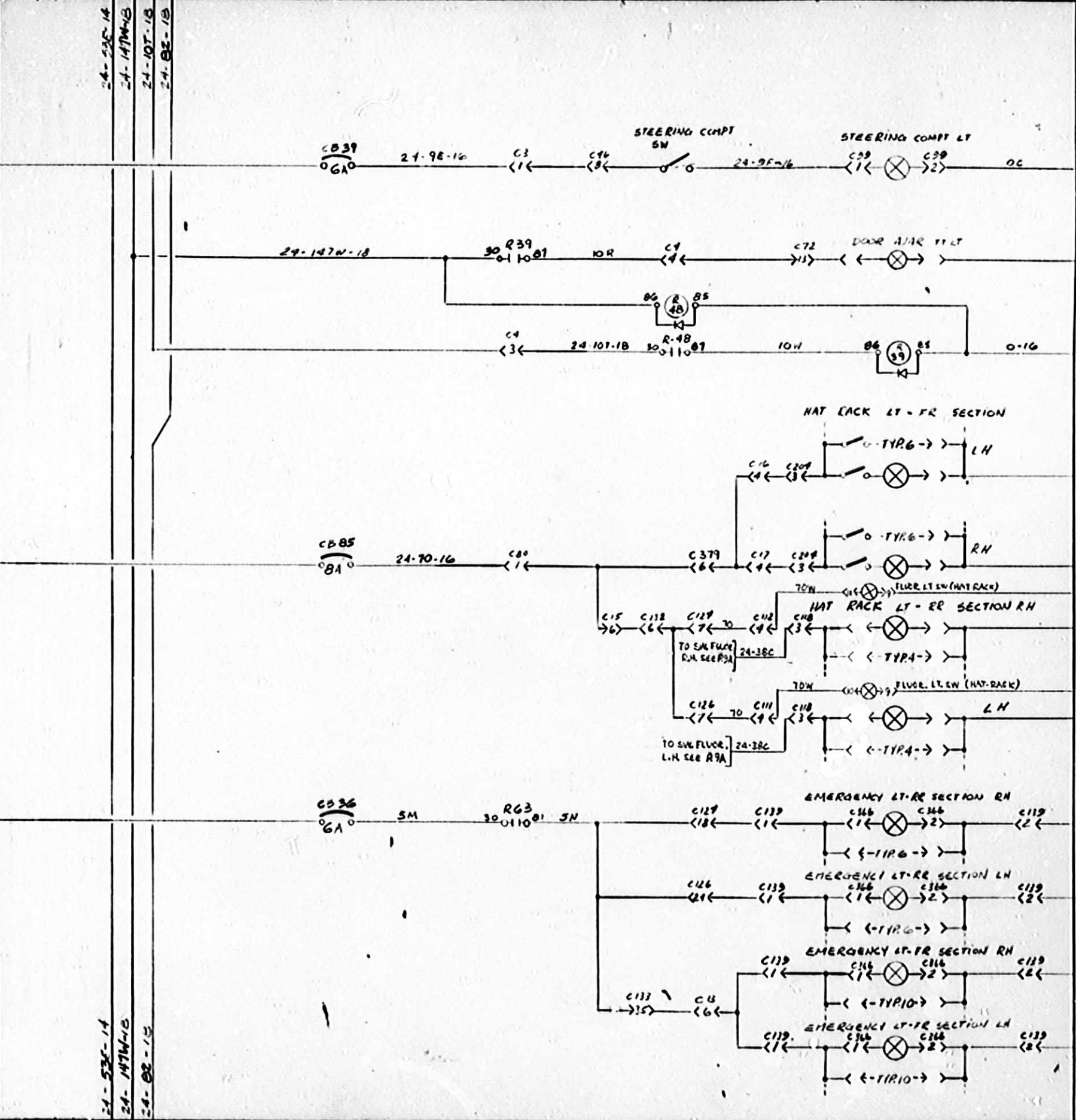
12V CENTRAL	24V CENTRAL	12V ENGINE	24V ENGINE	12V FRONT	24V FRONT	12V HOT WIRE FRONT	24V HOT WIRE FRONT	0-1B	24-85A-16	24-114A-1B	CR-2 BUD BAR 104L. ENGR.	12-32C-14	24-51G-14	12-524-1B	CR-2 BUD BAR 104L FRONT	24-52E-14	24-147W-1B	24-82-1B
12V CENTRAL	24V CENTRAL	12V ENGINE	24V ENGINE	12V FRONT	24V FRONT	12V HOT WIRE FRONT	24V HOT WIRE FRONT	0-1B	24-85A-16	24-114A-1B	CR-2 BUD BAR 104L. ENGR.	12-32C-14	24-51G-14	12-524-1B	CR-2 BUD BAR 104L FRONT	24-52E-14	24-147W-1B	24-82-1B



RR & FR SERVICE CPT. LTS	DOOR ADJAR	HAT RACK LIGHTING	INTERIOR LIGHTING	EMERGENCY LTS
--------------------------	------------	-------------------	-------------------	---------------

DESC:	WIRING DIAGRAM			DESS: S.B.	DATE: 9/01
APPL: EFF. W/	L-027	L-032	REF: H5-60	VER.:	APPR.:
ITEM	DATE	REVISION	PAR	NO: D-060732	8/14 C
A	9/01/10	RR SERV. CPT. LT. DC# 90159	SL		
	7/0/09	CC# 90152 LES BRAYERS	SL		
		CS 26 39 RALPH SA	PAR		

12V CENTRAL	24V CENTRAL	12V ENGINE	24V ENGINE	12V FRONT	24V FRONT	12V HOT WIRE FRONT	24V HOT WIRE FRONT	0-12	24-85A-16	24-11A-13	CR-2 BUI 2	12-32C-14	24-37C-14	12-32A-15	CR-2 BUI 1011 ENGR.	24-53C-14	24-147W-13	24-82-15	CR-2 BUI 2	24-53C-14	24-147W-13	24-107-13	24-82-15
-------------	-------------	------------	------------	-----------	-----------	--------------------	--------------------	------	-----------	-----------	------------	-----------	-----------	-----------	---------------------	-----------	------------	----------	------------	-----------	------------	-----------	----------



STEERING COMPT. LTS.	DOOR AJAR	HAT RACK LIGHTING	EMERGENCY LTS.
----------------------	-----------	-------------------	----------------

M

DESC: WIRING DIAGRAM

APPL: EFF. W/ L-027, L-033, L-034, L-035 M-035 J.M-104

REF: H5-60 "WESTOURS"

NO: D-060732 P.8A C

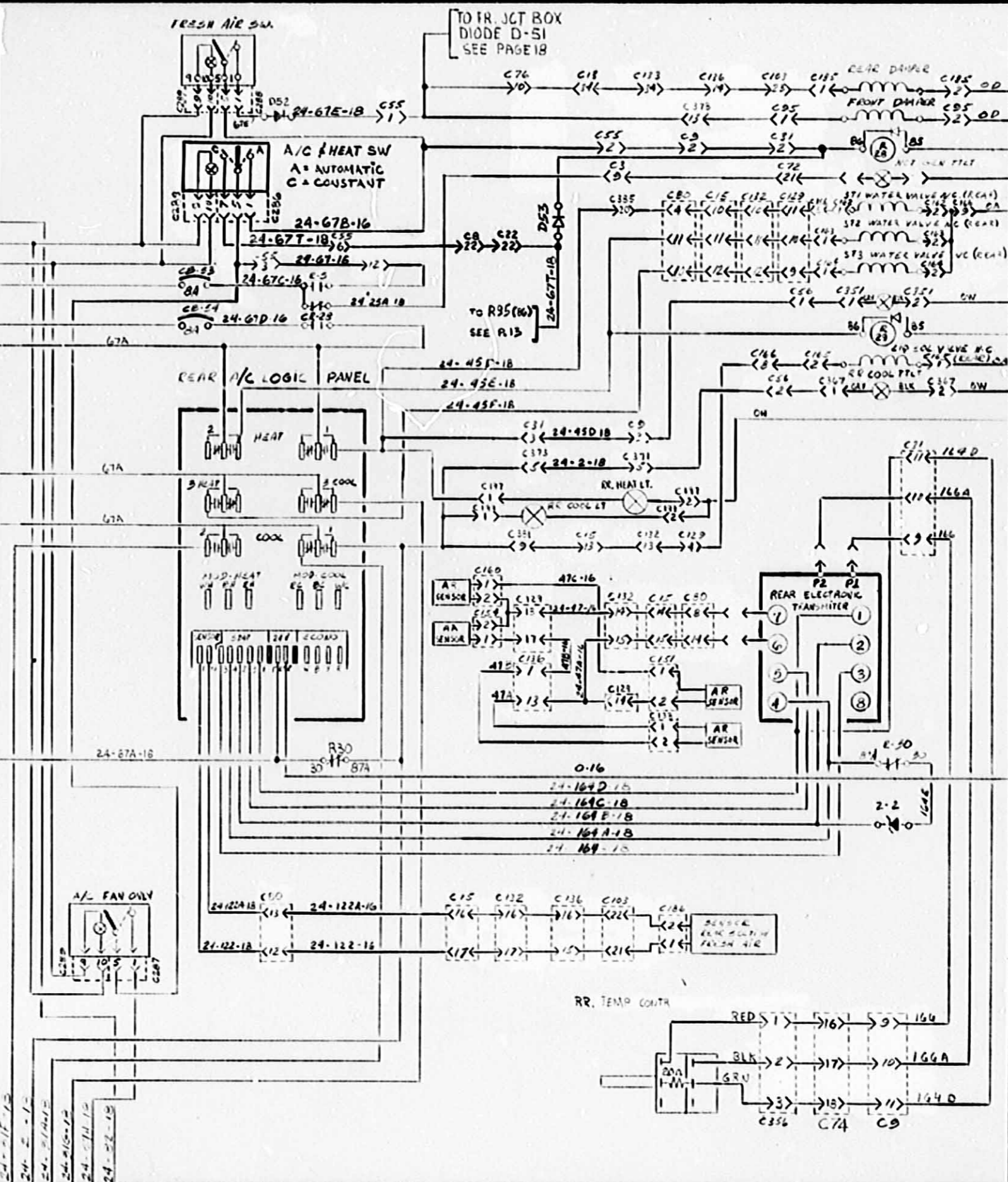
DATE: 90/06

APPR: [Signature]

ITEM	DATE	REVISION	PAR
A	30-09	BREWER GARITA OGD0152	



12V CENTRAL	0-18
24V CENTRAL	24-85A-16
12V ENGINE	24-11A-18
24V ENGINE	CR2, B, B, C
12V FRONT	12-32C-14
24V FRONT	24-57C-14
12V HOT WIRE FRONT	12-52A-18
24V HOT WIRE FRONT	24-52A-18
0-18	24-52A-18
24-85A-16	
24-11A-18	
CR2, B, B, C	
12-32C-14	
24-57C-14	
12-52A-18	
24-52A-18	
24-147W-18	
24-6C-16	
24-67A-16	
24-67B-16	
24-67C-16	
24-67D-16	
24-67E-18	
24-67F-18	
24-67G-18	
24-67H-18	
24-67I-18	
24-67J-18	
24-67K-18	
24-67L-18	
24-67M-18	
24-67N-18	
24-67O-18	
24-67P-18	
24-67Q-18	
24-67R-18	
24-67S-18	
24-67T-18	
24-67U-18	
24-67V-18	
24-67W-18	
24-67X-18	
24-67Y-18	
24-67Z-18	



A/C & HEAT SYSTEM

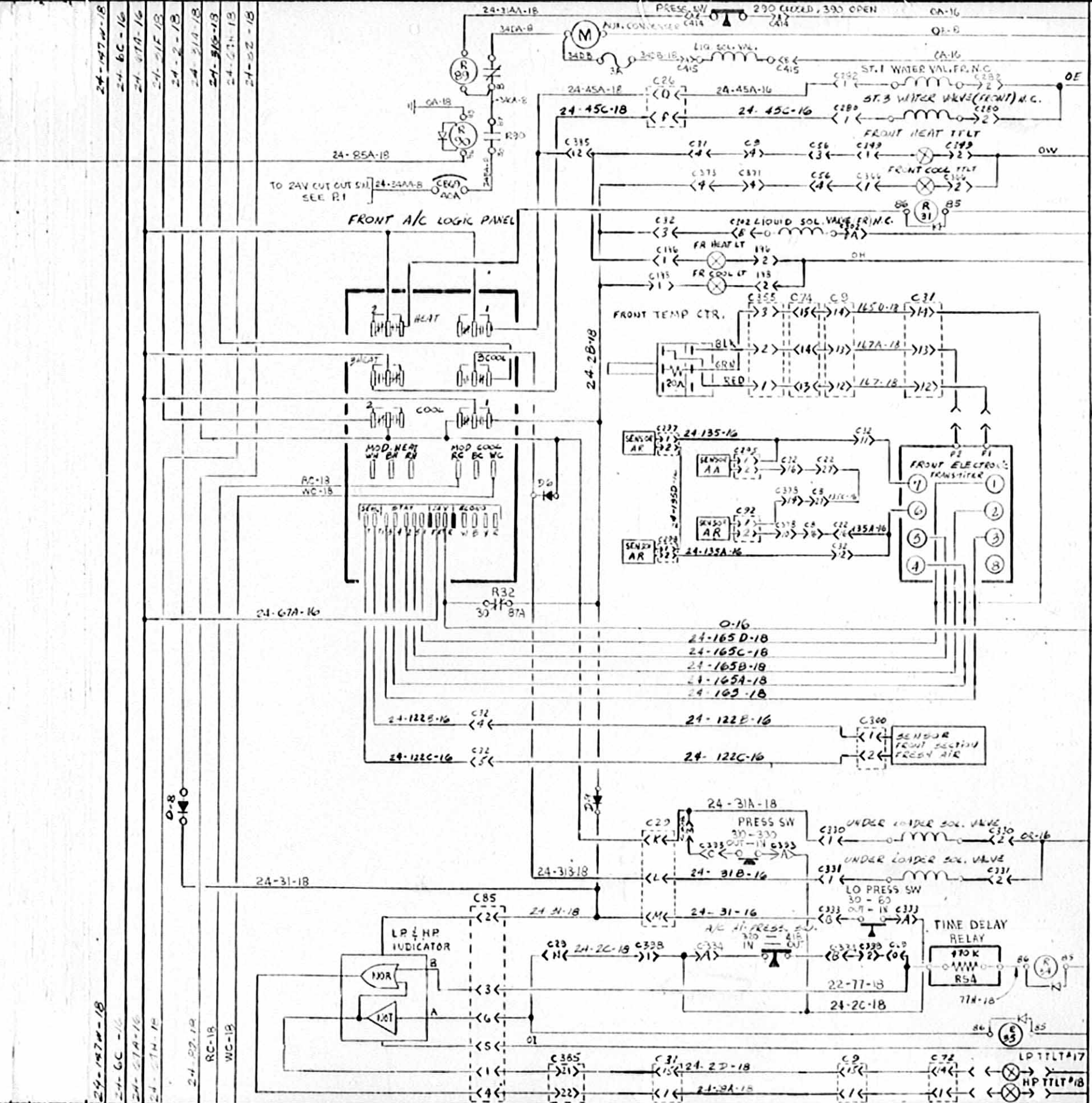
92-04	LANCÉ OC# 92030	DESC: WIRING DIAGRAM	DESS: C	DATE: 92-04
DATE	REVISION	APPL: W/N-208	VER: C	APPR: [Signature]
		REF: H5-60		IN: D-060732 P. 11a C



AUX. CONDENSER

A/C & HEAT SYSTEM

- 12 V CENTRAL
- 24 V CENTRAL
- 12 V ENGINE
- 24 V ENGINE
- 12 V FRONT
- 24 V FRONT
- 12 V HOT WIRE FRONT
- 24 V HOT WIRE FRONT
- 0-18
- 24-85A-16
- 24-14A-18
- CR2 BUB BAR (incl. Selen)
- 12-52C-14
- 24-57C-14
- 12-52A-18
- CR2 BUB BAR (incl. FRONT)
- 24-15-14
- 24-147A-18
- 24-6C-16
- 24-87A-16
- 24-87F-18
- 24-2-18
- 24-21A-18
- 24-31B-18
- 24-27A-18
- 24-52-18
- 0-8
- 24-165D-18
- 24-165C-18
- 24-165B-18
- 24-165A-18
- 24-165-18
- 24-122B-16
- 24-122C-16
- 24-31A-18
- 24-31B-16
- 24-31-18
- 24-31-16
- 24-2C-18
- 24-2C-18
- 24-2A-18
- 0-18
- 24-85A-16
- 24-14A-18
- CR2 BUB BAR (incl. Selen)
- 12-52C-14
- 24-57C-14
- 12-52A-18
- CR2 BUB BAR (incl. FRONT)
- 24-15-14
- 24-147A-18
- 24-6C-16
- 24-87A-16
- 24-87F-18
- 24-2-18
- 24-21A-18
- 24-31B-18
- 24-27A-18
- 24-52-18
- 0-8
- 24-165D-18
- 24-165C-18
- 24-165B-18
- 24-165A-18
- 24-165-18
- 24-122B-16
- 24-122C-16
- 24-31A-18
- 24-31B-16
- 24-31-18
- 24-31-16
- 24-2C-18
- 24-2C-18
- 24-2A-18



DESC:

WIRING DIAGRAM

DESS:

BC

DATE:

90-01

VER.:

1/C

APPR.:

[Signature]

ITEM DATE

90/06 069 90149 REVISION

PAR

APPL: W/L-027 1-053...

REF: HS-60

NO: D-060732 12/24

C



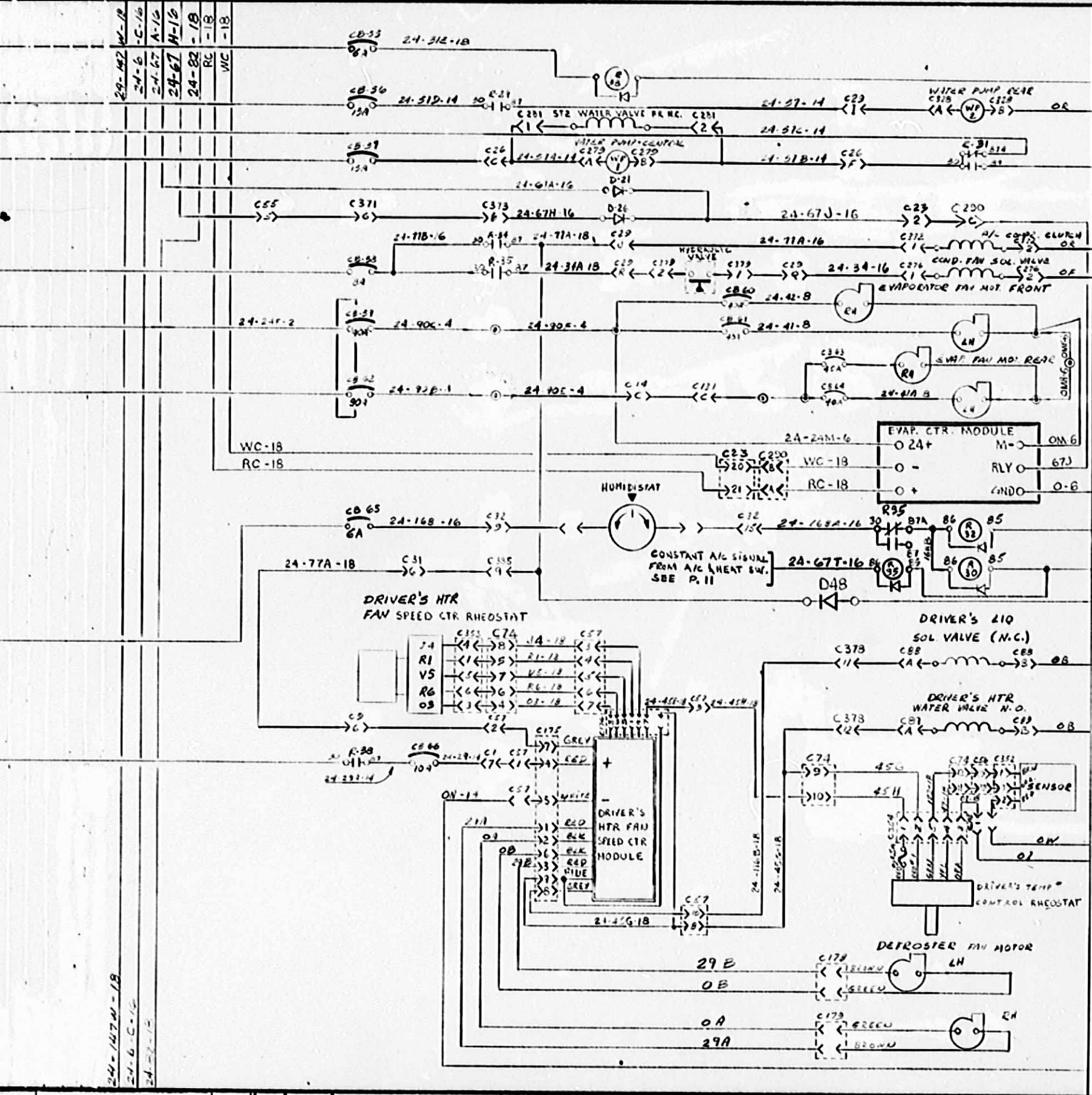
12V CENTRAL
24V CENTRAL
12V ENGINE
24V ENGINE
12V FRONT
24V FRONT
12V H.W. 12
24V H.W. 12
O-18
24-55A-16
24-118A-18
C-2-28A-15
12-32C-14
24-57C-14
12-52A-18
C-2-28B-11R

24-142 W-18
24-6 C-16
24-67 A-15
24-67 H-15
24-82 -18
RC-18
WC-18

24-147N-18
24-6 C-16
24-23-15

12V CENTRAL
24V CENTRAL
12V ENGINE
24V ENGINE
12V FRONT
24V FRONT
12V HOT WIRE
24V HOT WIRE
O-18
24-55A-16
24-118A-18
C-2-28A-15
12-32C-14
24-57C-14
12-52A-18
C-2-28B-11R

ITEM	DATE	REVISION	PAR	APPL: W/ N-208	REF: HS-60	NO: D-060732 13a/24 C
	92-04	LANCE OC 92030				
DESC: WIRING DIAGRAM				VER: /	DATE: 92-04	
				APPR: /		

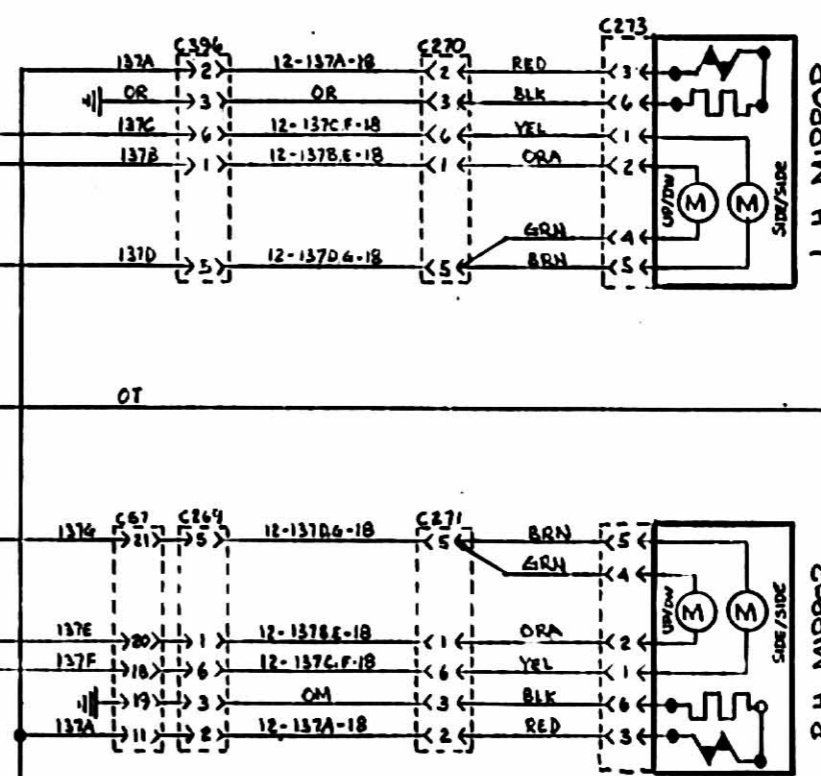
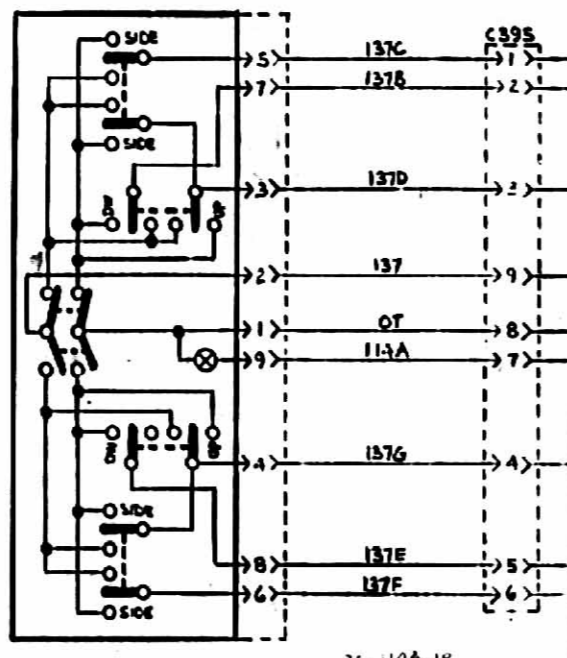


A/C & HEAT SYSTEM



12V CENTRAL	0-18
24V CENTRAL	24-820-16
12V ENGINE	24-111-18
24V ENGINE	24-111-18
12V FRONT	12-926-14
24V FRONT	12-926-14
12V HOT WIRE FRONT	12-324-18
24V HOT WIRE FRONT	24-147N-18
0-48	24-66-16
24-55A-16	24-82-18
24-111-18	
CR2 BUS BAR INST.	
12-926-14	
12-324-18	
CR3 BUS BAR INST.	
24-147N-18	
24-66-16	
24-82-18	

MIRROR SW.

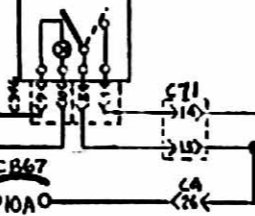


L.H. MIRROR

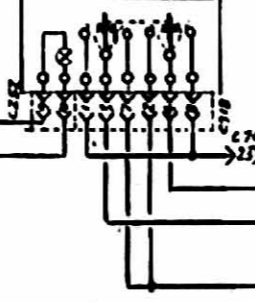
R.H. MIRROR

REAR VIEW ADJUST & HEATED MIRROR

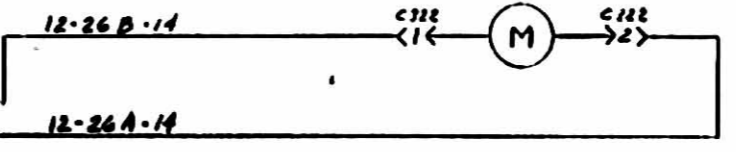
HEATED MIRROR SW.



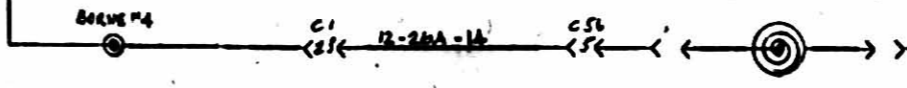
DRIVER'S WINDOW LIFTER SW. #38



DRIVER'S WINDOW LIFTER MOTOR



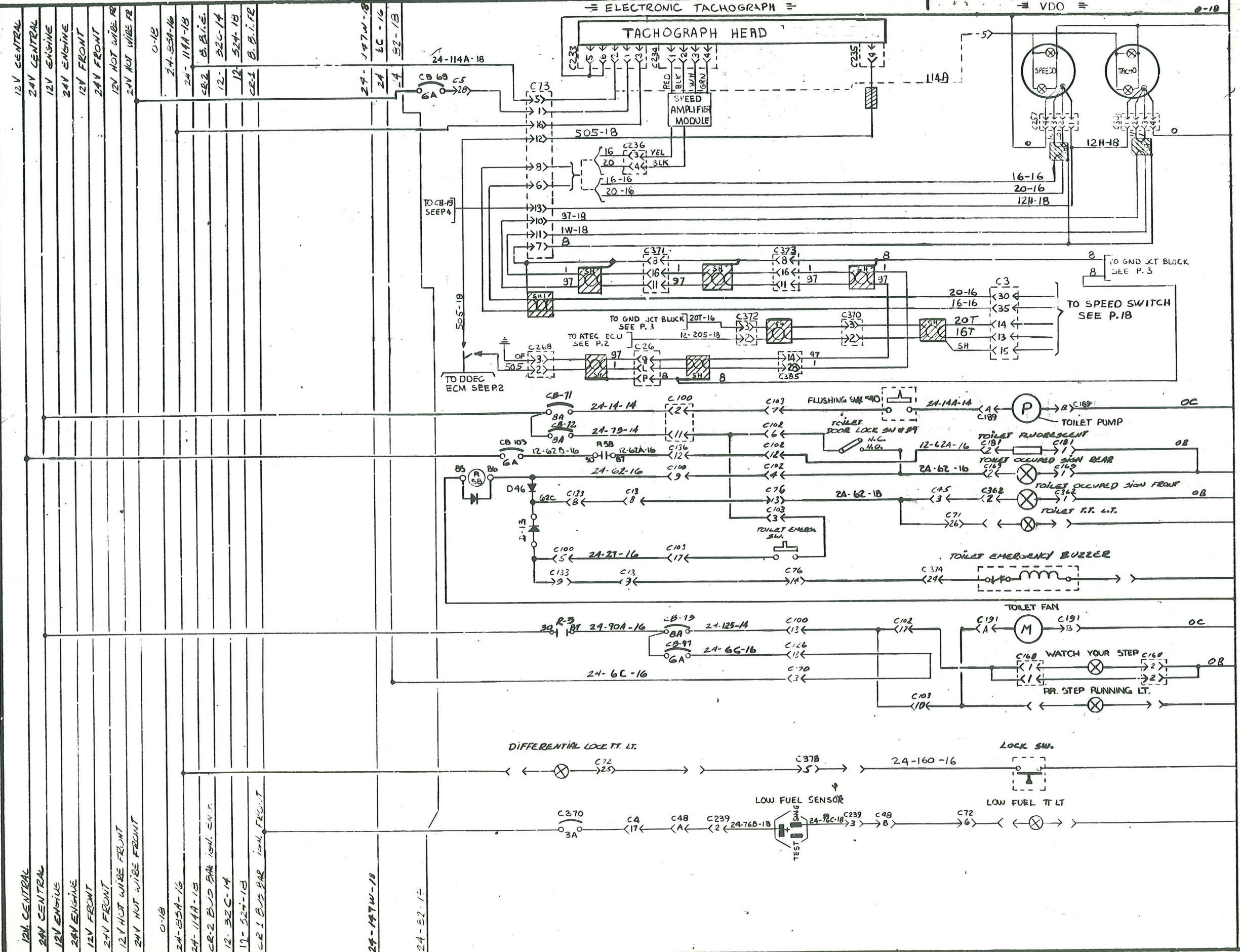
CIGAR LIGHTER



DRIVER'S WINDOW

CIGAR LIGHTER

DESC 1	WIRING DIAGRAM	DESS1 M1	DATE- 90/01
B 91-01	WSE A JOUR MIRROR	VER- KC	APPR- [Signature]
A 90-09	MISE A JOUR		
ITEM DATE	REVISION	APPL EFF. W/ L-027 L-031...	REF: H5-60
			NO: D-060732 1/24 C



..L1

..L1

..58

19/11/90
 261090

..11

DESC :	WIRING DIAGRAM	
DESS:	D.V.	DATE- 90-01
VER.:	1/c	APPR.:
NO:	D-060732	16/24 C

B	90-10	MISE A JOUR O.C. 90201A	DT
A	70-09	06/09/92 LES BREAKERS	SL
		CB49,105,97 AWANT SWMP	DAR
		REVISION	

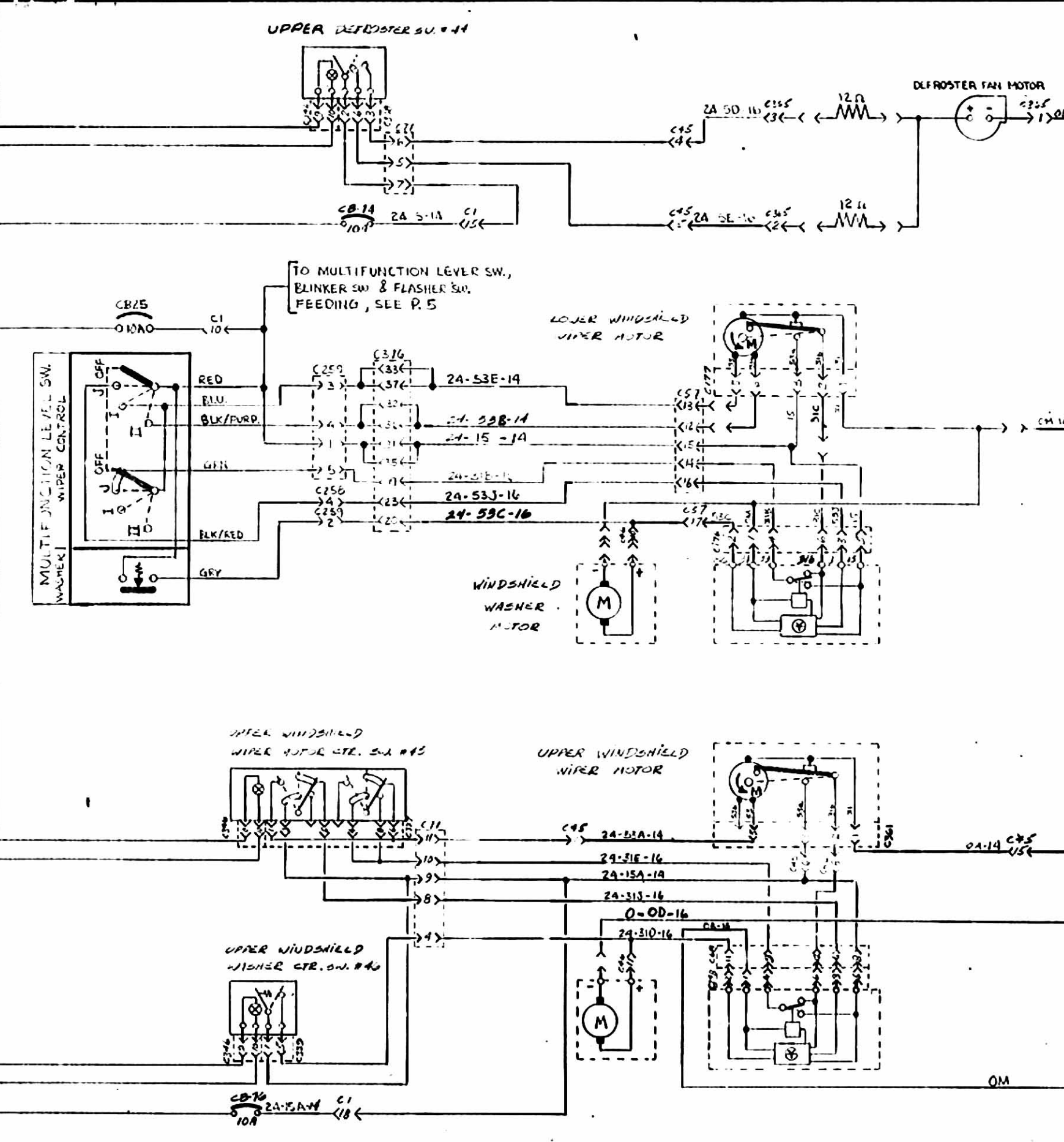
APPL: EFF. W/ L-027 L-033

REF: HS-60



- 12V CENTRAL
- 24V CENTRAL
- 12V ENGINE
- 24V ENGINE
- 12V FRONT
- 24V FRONT
- 12V NOT WIRE FE
- 24V NOT WIRE FE

- 0-18
- 24-25A-16
- 24-114A-13
- CR-2 P.A.B.I.E.
- 12-92C-14
- 12-92A-13
- CR-1 P.B.I.F.R.
- 24-147W-18
- 24-176-16
- 24-1620-16
- 24-82-13
- 24-176-18



- UPPER WINDSHIELD DEFROST
- LOWER WINDSHIELD WIPER & WASHER
- UPPER WINDSHIELD WIPER & WASHER

DESC :	WIRING DIAGRAM		DESS: M	DATE: 90-01
VER.:			VER.:	
APPL: EFF. W/ L027, L033...	REF: H5-60	NO. D-060732		11/24
ITEM DATE	REVISION	PAR		
A 90/11	CB76 & CB25 EMT SW 24V → 24V1	M/		

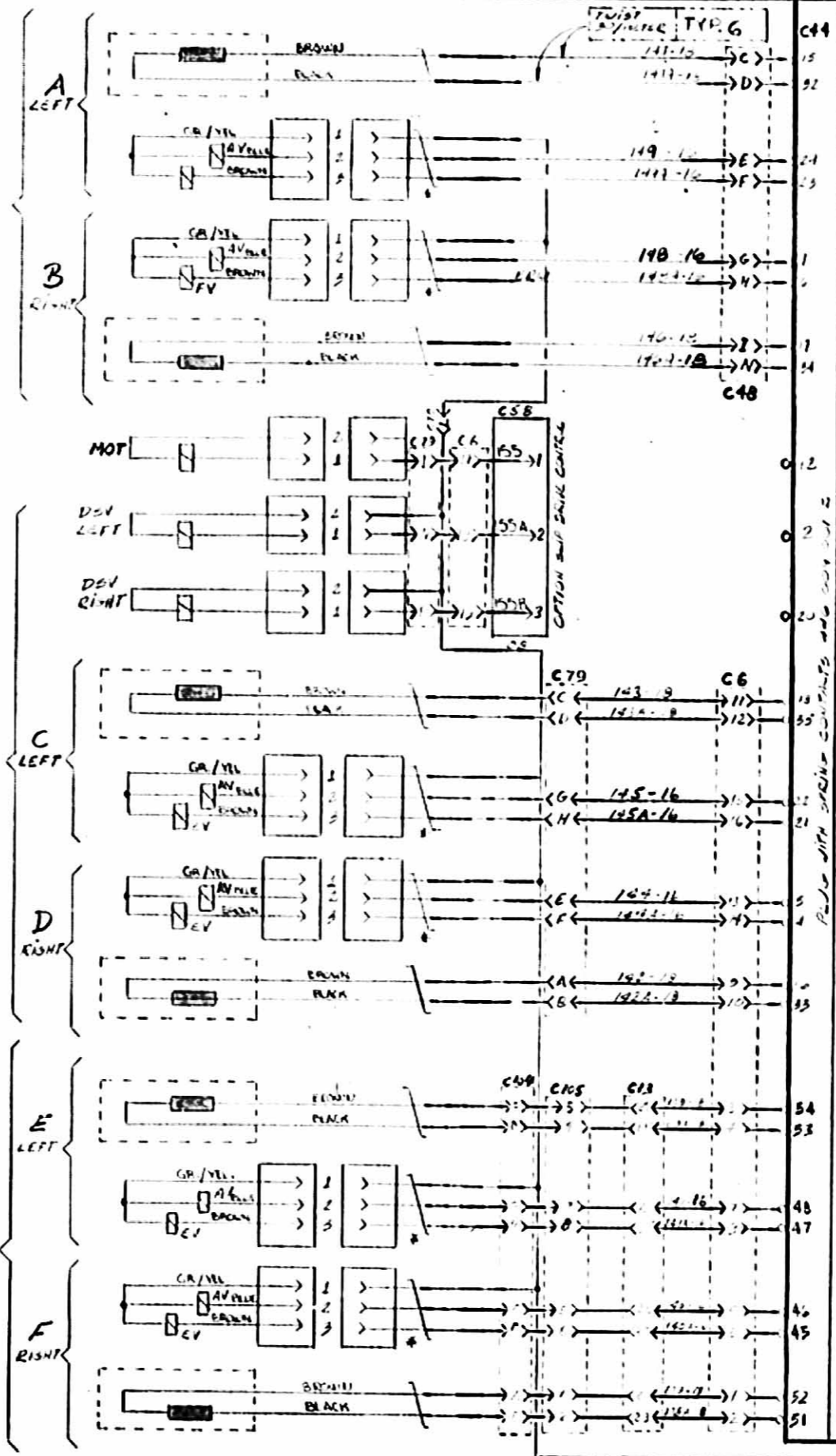


12V CENTER
24V CENTER
12V FRONT
24V FRONT
12V NOT WIRE FRONT
24V NOT WIRE FRONT
0-12
24-82-1-16
24-114A-12
24-114B-12
24-114C-12
24-114D-12
24-114E-12
24-114F-12
24-114G-12
24-114H-12
24-114I-12
24-114J-12
24-114K-12
24-114L-12
24-114M-12
24-114N-12
24-114O-12
24-114P-12
24-114Q-12
24-114R-12
24-114S-12
24-114T-12
24-114U-12
24-114V-12
24-114W-12
24-114X-12
24-114Y-12
24-114Z-12

FRONT AXLE

DRIVE AXLE

REAR AXLE



ANTI-SKID

DESC :

WIRING DIAGRAM

DESS: D.V. DATE: 92-04

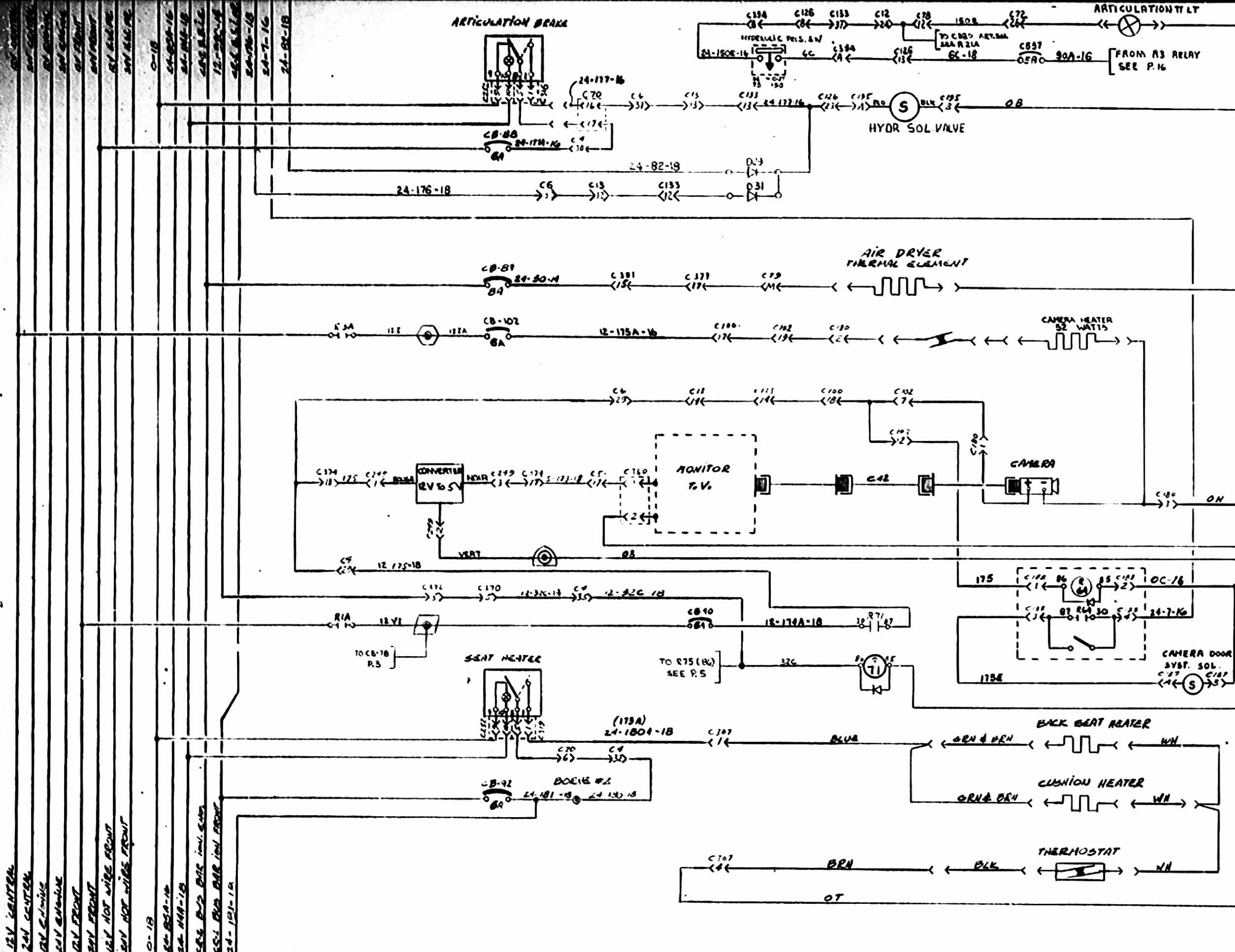
VER: [Signature] APPR: [Signature]

92-04	LANGE OC*92030
DATE	REVISION

APPL: EFF. W/ N-208

REF: HS-60

NO: D-060732 200/24



ARTICULATION
BRAKE

AIR DRYER

BACK-UP
MONITOR

DRIVER'S
SEAT HEATER

DESC :

WIRING DIAGRAM

DESS: B.C DATE-90-01

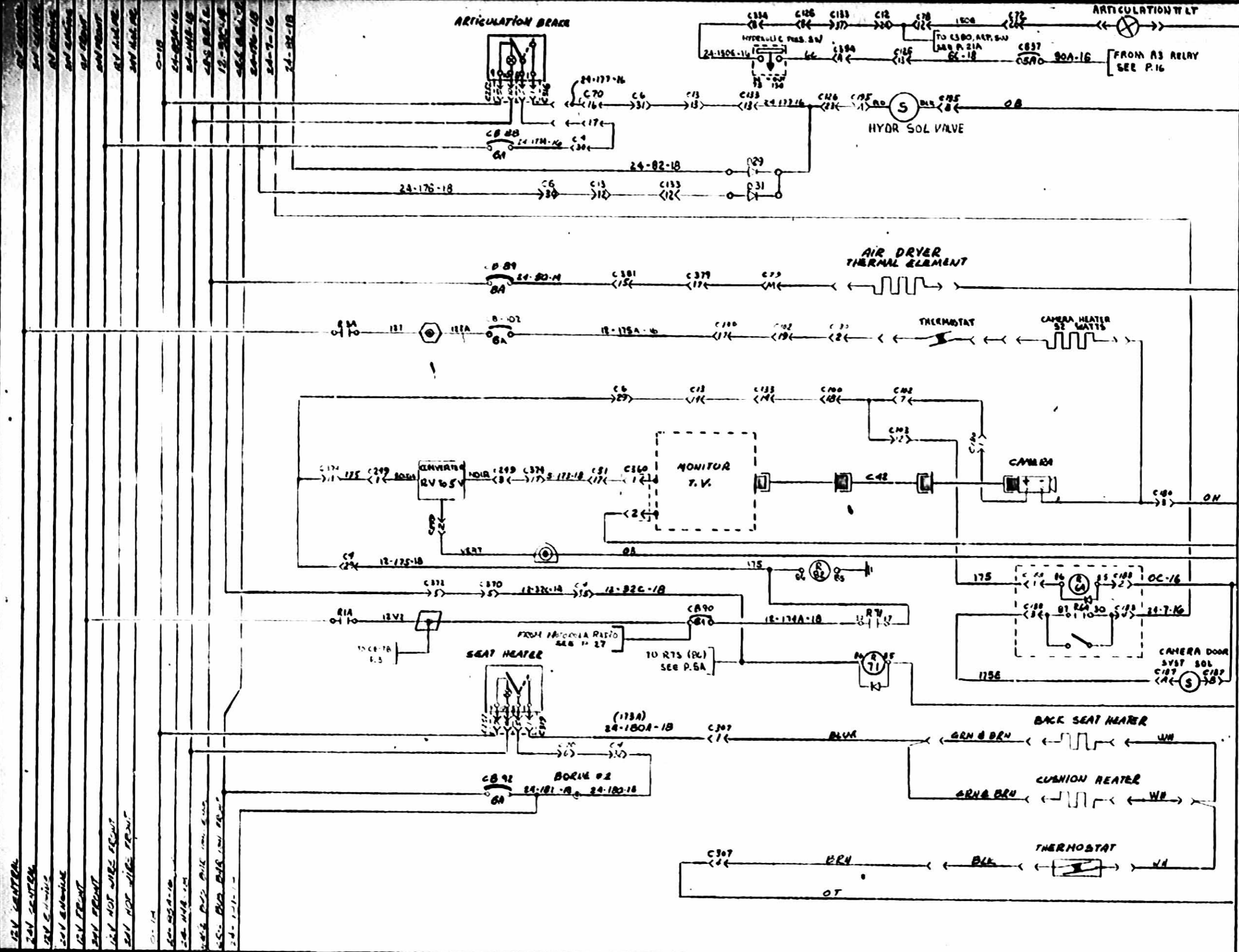
VER.- APPR.-

90/06	MISE 3 JOUR	MJ
DATE	REVISION	PAR

APPL: W/L-027 L-033...

REF: H5-60

NO: D-060732 P.22 C



ARTICULATION
BRAKE

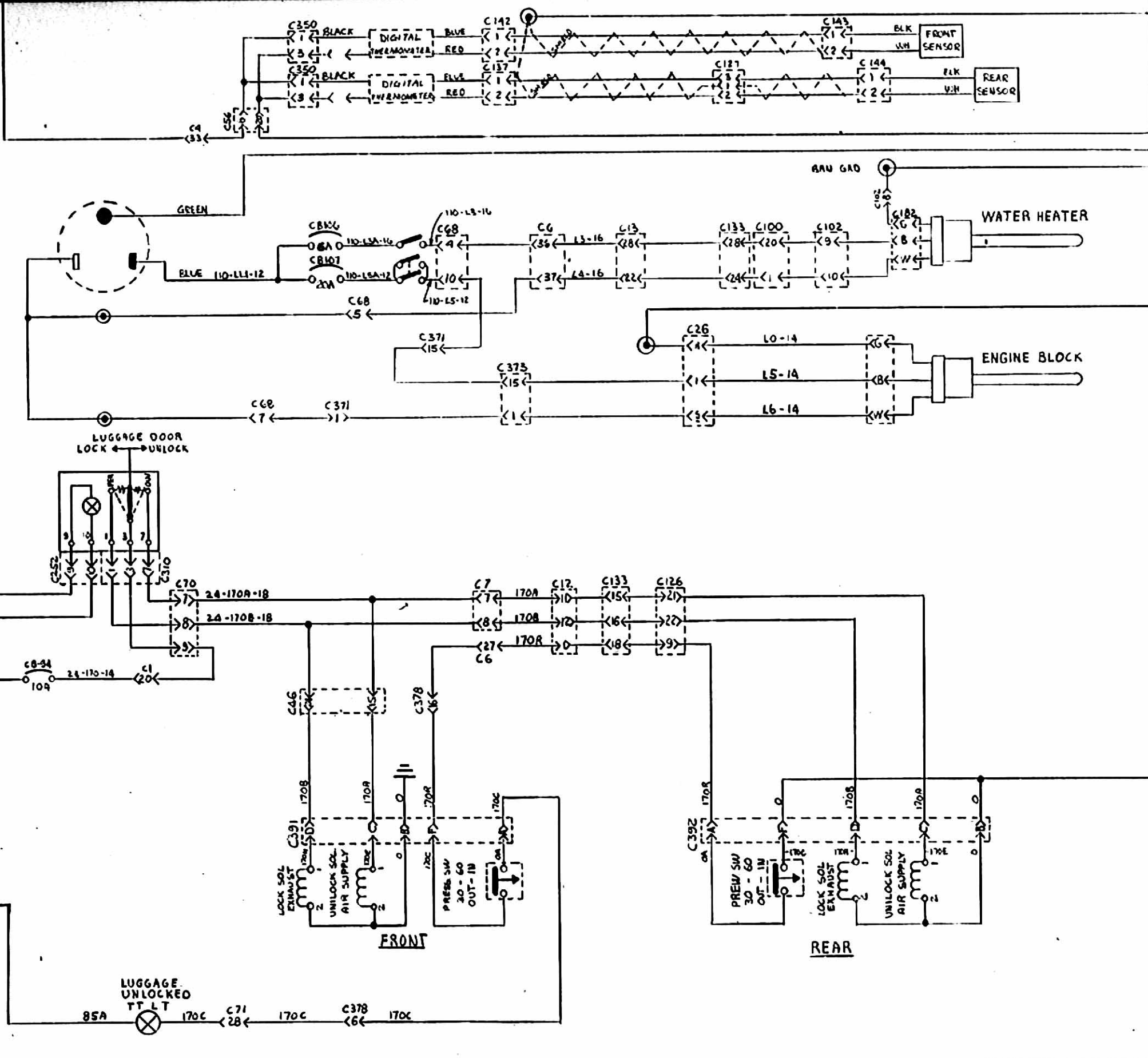
AIR DRYER

BACK-UP
MONITOR

DRIVER'S
SEAT HEATER

DESC 1	WIRING DIAGRAM	DESSY M	DATE - 90-06
VER -			APR - 10
APPL: W/ L-027, L-033, L-03A, L-035	REF: HS-60 "WESTOURS"	NO: D-060732	P.22A C
ITEM DATE	REVISION	PAR	

- 12V CENTRAL
- 24V CENTRAL
- 12V ENGINE
- 24V ENGINE
- 12V FRONT
- 24V FRONT
- 12V HOT WIRE FRONT
- 24V HOT WIRE FRONT
- 0-18
- 24-85B-16
- 24-11AB-18
- CR-2 B.B.I.E
- CR-1 B.B.I.FR
- 24-181-18



DIGITAL THERMOMETER

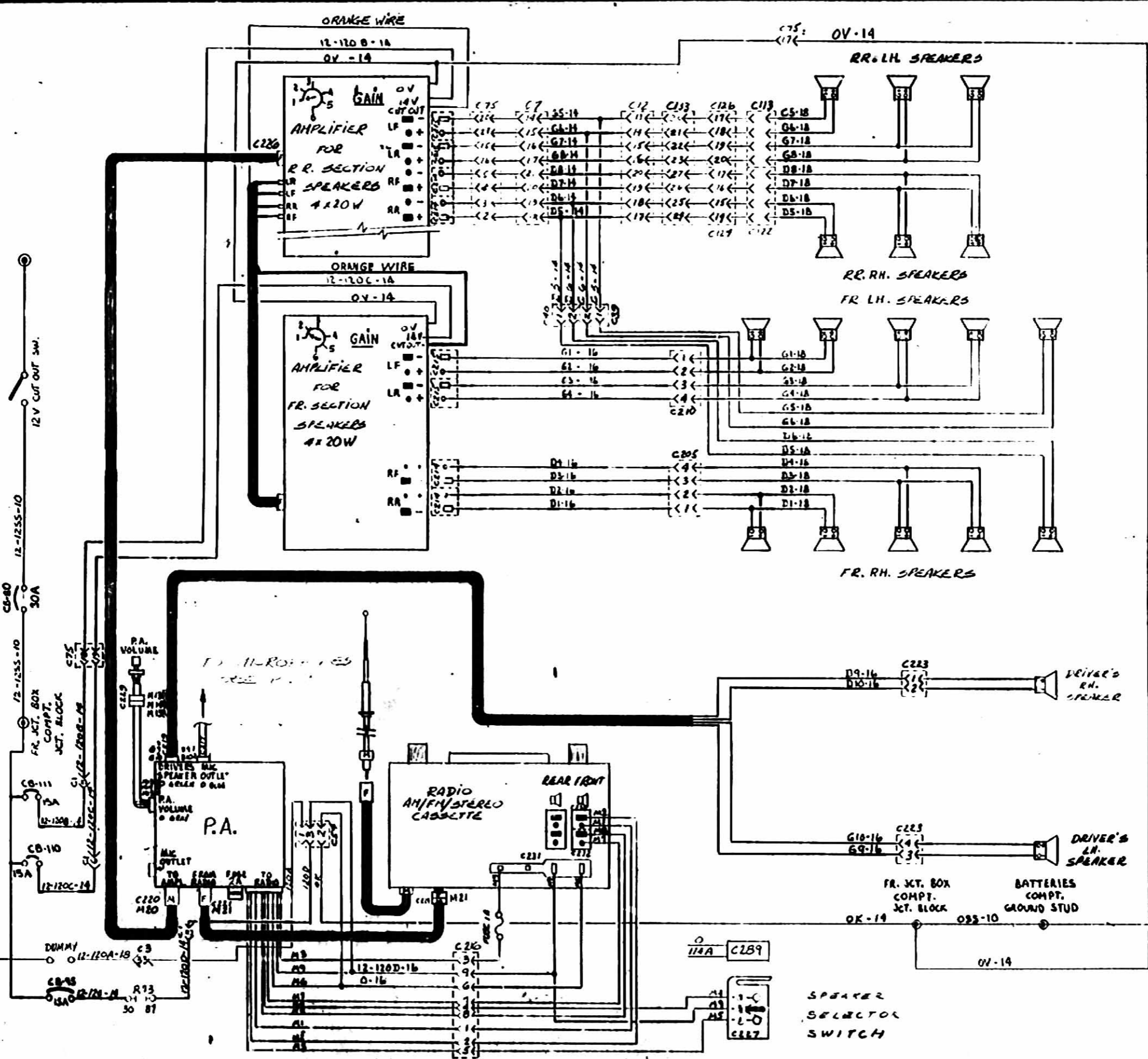
WATER TANK HEATER

ENGINE BLOCK

LUGGAGE DOOR LOCK

12V CENTRAL	24V CENTRAL	12V ENGINE	24V ENGINE	12V FRONT	24V FRONT	12V HOT WIRE FRONT	24V HOT WIRE FRONT	0-18	24-85B-16	24-11AB-18	CR-2 B.B.I.E	CR-1 B.B.I.FR	24-181-18
DESCRIPTION: WIRING DIAGRAM													
DR.- B C											DATE- 90-05		
CR.- <i>[Signature]</i>											APPR.- <i>[Signature]</i>		
NO: D-060732 P23 C													
DATE	90/09	REVISION	1	DATE	90/06	REVISION	2	DATE	90/06	REVISION	3	DATE	90/06
BY	ML	BY	ML	BY	ML	BY	ML	BY	ML	BY	ML	BY	ML
APPL: EFF. W/ L-027 L-025...													
REF: HS-60													

12V CENTRAL
24V CENTRAL
12V ENGINE
24V ENGINE
12V FRONT
24V FRONT
12V M.I.L.P.
24V M.I.L.P.
C22 B.B.L.P.
C24 B.B.L.P.



SOUND SYSTEM

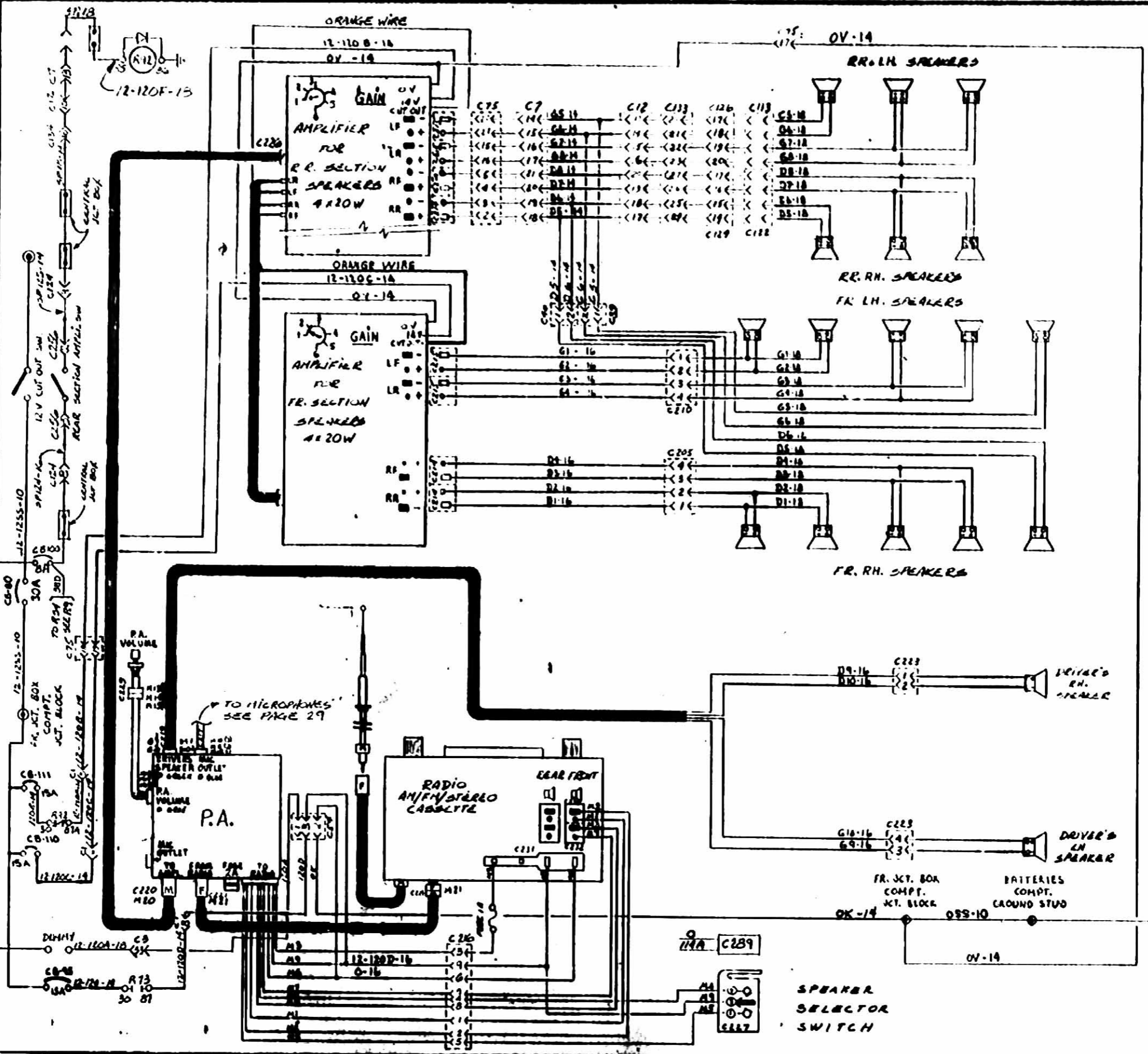
12V CENTRAL
24V CENTRAL
12V ENGINE
24V ENGINE
12V FRONT
24V FRONT
12V M.I.L.P.
24V M.I.L.P.
C22 B.B.L.P.
C24 B.B.L.P.

REV	DATE	REVISION
C	91-02	M.R. ENLARGED
B	90-11	VEH. EFF. ST. PROGRAMMED
A	90-06	PRIOR O.C. 90151
		MISE A JOUR

DESC: WIRING DIAGRAM
REF: HS-60

DESS: AB
VER: /C
DATE: 90-01
APPR: /
NOID-060732 P24

- 12V CENTRAL
- 24V CENTRAL
- 12V ENGINE
- 24V ENGINE
- 12V FRONT
- 24V FRONT
- 12V HOT WIRE FRONT
- 24V HOT WIRE FRONT
- CR-2 6V D.C.
- CR-1 6V D.C.
- CR-3 6V D.C.
- CR-4 6V D.C.
- CR-5 6V D.C.
- CR-6 6V D.C.
- CR-7 6V D.C.
- CR-8 6V D.C.
- CR-9 6V D.C.
- CR-10 6V D.C.
- CR-11 6V D.C.
- CR-12 6V D.C.
- CR-13 6V D.C.
- CR-14 6V D.C.
- CR-15 6V D.C.
- CR-16 6V D.C.
- CR-17 6V D.C.
- CR-18 6V D.C.
- CR-19 6V D.C.
- CR-20 6V D.C.
- CR-21 6V D.C.
- CR-22 6V D.C.
- CR-23 6V D.C.
- CR-24 6V D.C.
- CR-25 6V D.C.
- CR-26 6V D.C.
- CR-27 6V D.C.
- CR-28 6V D.C.
- CR-29 6V D.C.
- CR-30 6V D.C.
- CR-31 6V D.C.
- CR-32 6V D.C.
- CR-33 6V D.C.
- CR-34 6V D.C.
- CR-35 6V D.C.
- CR-36 6V D.C.
- CR-37 6V D.C.
- CR-38 6V D.C.
- CR-39 6V D.C.
- CR-40 6V D.C.
- CR-41 6V D.C.
- CR-42 6V D.C.
- CR-43 6V D.C.
- CR-44 6V D.C.
- CR-45 6V D.C.
- CR-46 6V D.C.
- CR-47 6V D.C.
- CR-48 6V D.C.
- CR-49 6V D.C.
- CR-50 6V D.C.



SOUND SYSTEM

DESC 1

WIRING DIAGRAM

DESS1 A/B DATE 70-01

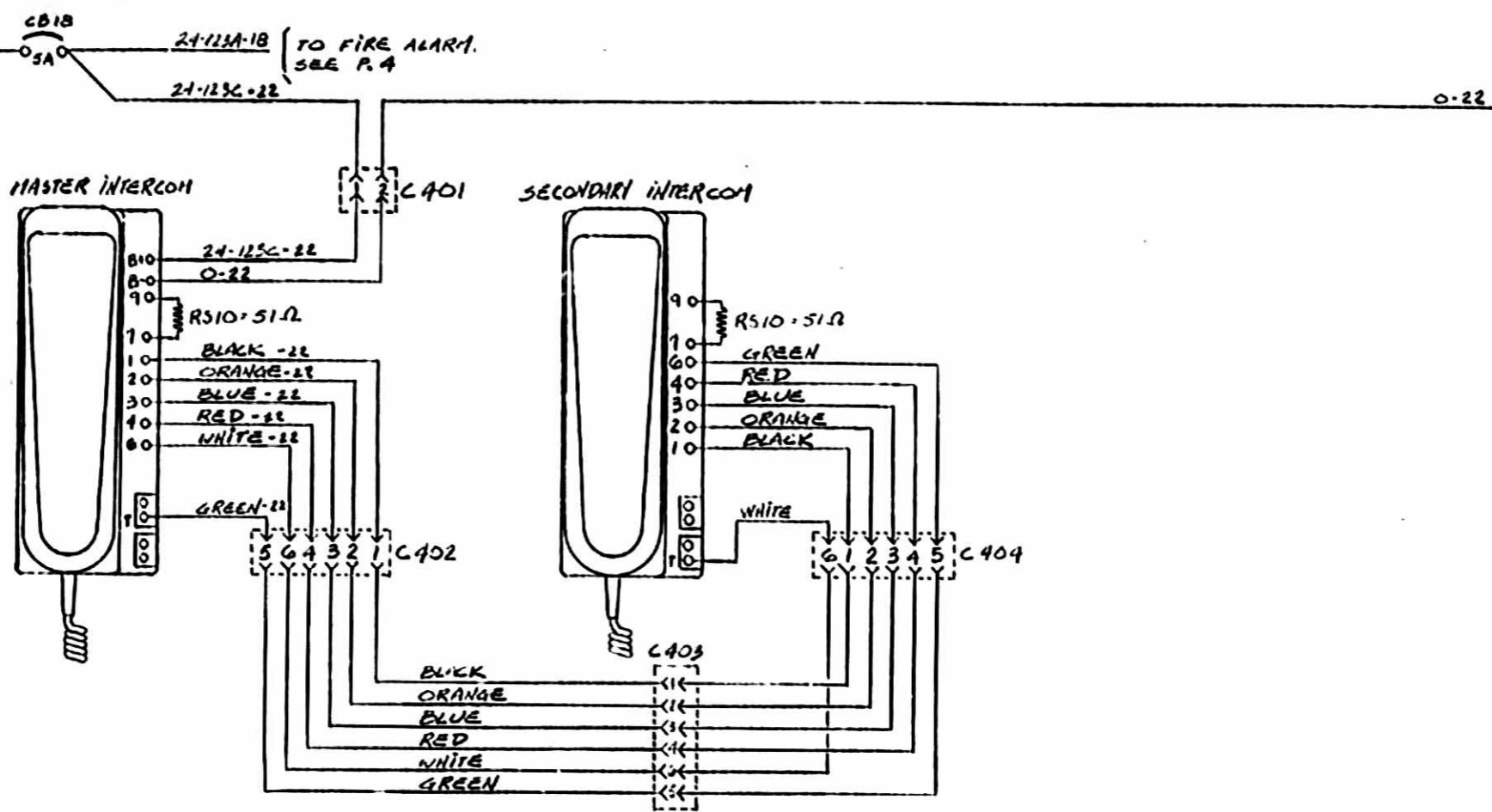
VER-1/C

A 91-01 11/2 4 JOUR 08

REF. W/L-027, L-033, L-034, L-035 M-015 5M-16

HS-60 WESTOURS WMD-060732 P.24C

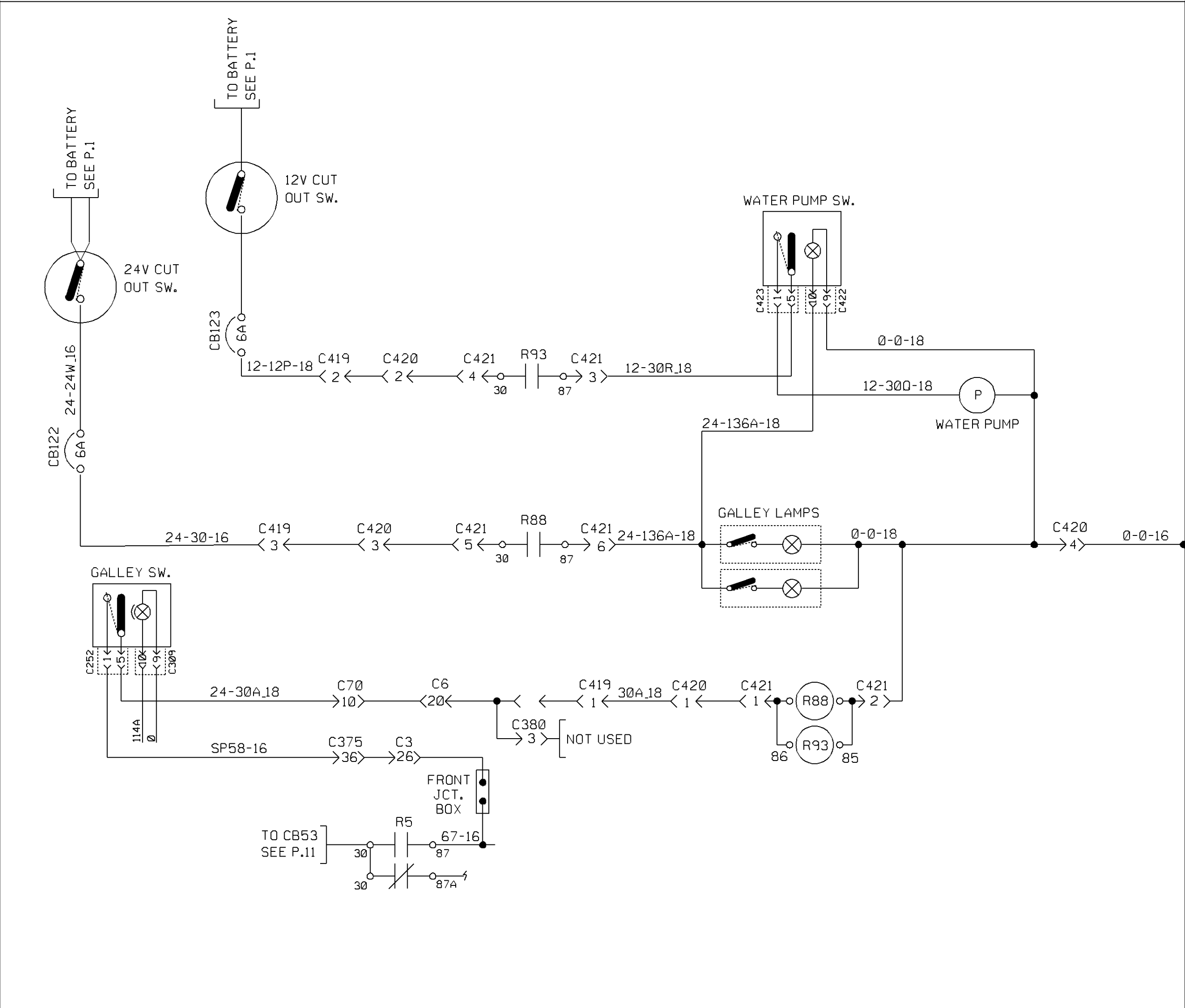
12V CENTRAL
 24V CENTRAL
 12V ENGINE
 24V ENGINE
 12V FRONT
 24V FRONT
 12V H.W.FR
 24V H.W.FR
 CR-2 P.O.I.E
 CR-1 P.O.I.FR
 12V CENTRAL
 24V CENTRAL
 12V ENGINE
 24V ENGINE
 12V FRONT
 24V FRONT
 12V HOT WIRE FRONT
 24V HOT WIRE FRONT
 CR-2 BUS BAR ION. ENGINE
 CR-1 BUS BAR ION. FRONT



OPTION INTERCOM

					DESCRIPTION:	DR.- AB	DATE- 90-05
					WIRING DIAGRAM	CK - <i>LC</i>	APPR- DR.
ITEM	DATE	REVISION	BY	APPL: EFF W/L-027 L-053...	PRIOR TO:	REF: H5-60. WESTOURS	NO: D-060732 R25 C

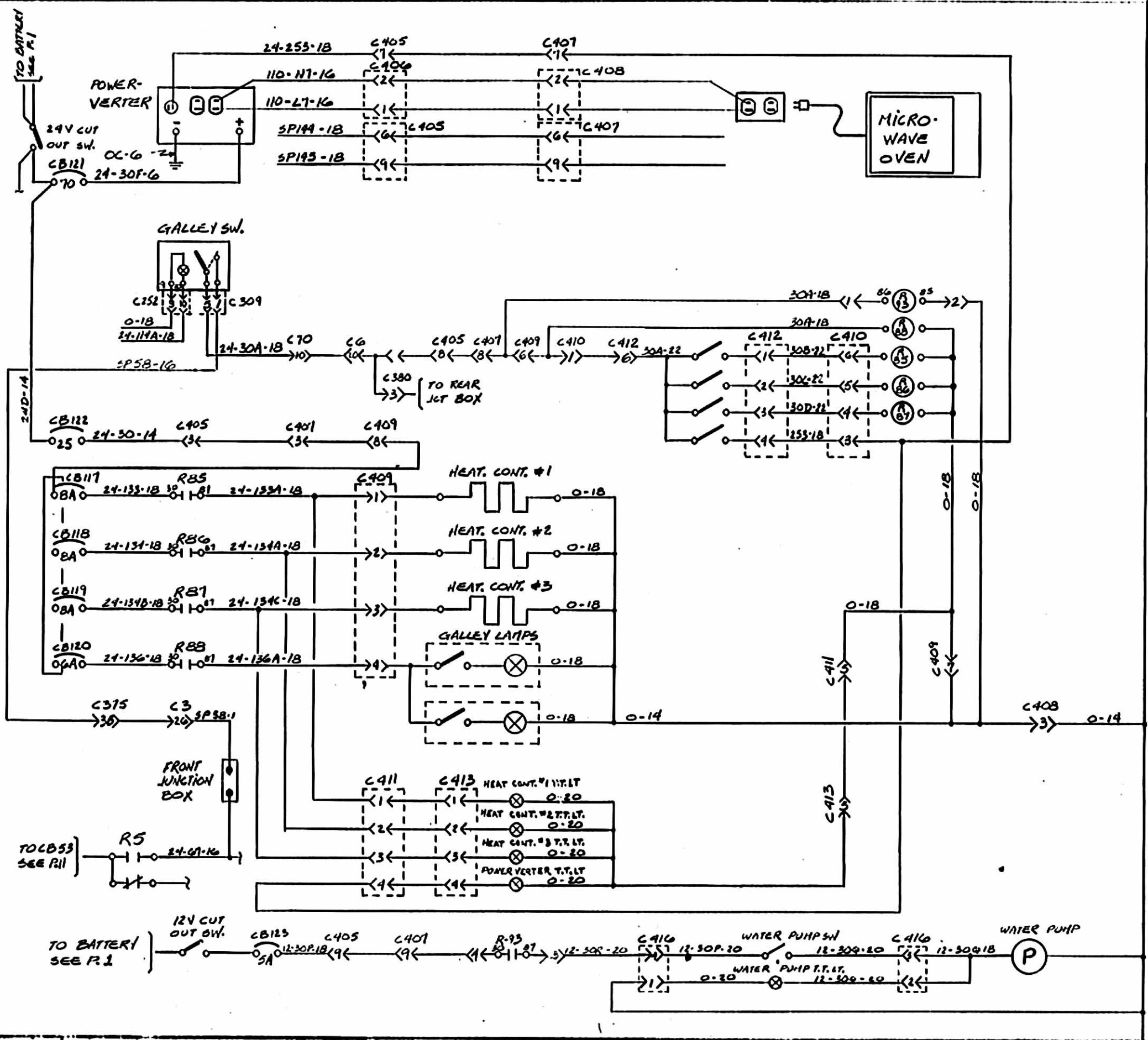
12V CENTRAL	12V CENTRAL
24V CENTRAL	24V CENTRAL
12V ENGINE	12V ENGINE
24V ENGINE	24V ENGINE
12V FRONT	12V FRONT
24V FRONT	24V FRONT
12V HOT WIRE FRONT	12V HOT WIRE FRONT
24V HOT WIRE FRONT	24V HOT WIRE FRONT
CR-2 BUS BAR IGN. ENGINE	CR-2 BUS BAR IGN. ENGINE
CR-1 BUS BAR IGN. FRONT	CR-1 BUS BAR IGN. FRONT



OPTION GALLEY W/O HEAT CONTAINER

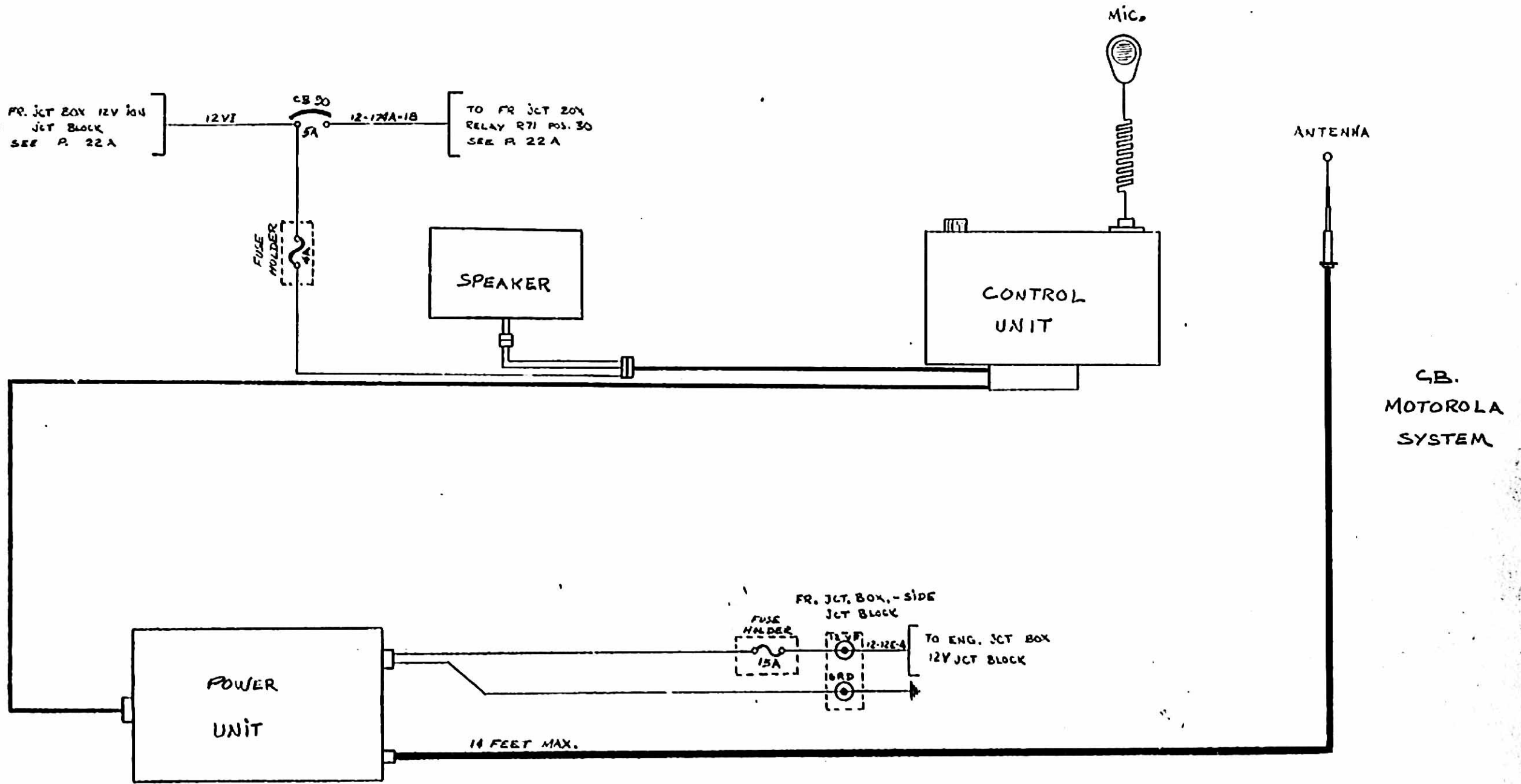
											description: WIRING DIAGRAM		PREVOST CAR inc.	
											ref: H5-60 WESTOURS		dr. MLAF date. 92/01 ck. appr.	
											eff. w/ oc# prior to/ oc#		NO: D060732	
											eff. w/ veh.# N208,211,214 prior to/ veh.#		p. 26A	
no	date	revision	par	no	date	revision	par	no	date	revision	par			

12V CENTRAL
 24V CENTRAL
 12V ENGINE
 24V ENGINE
 12V FRONT
 24V FRONT
 12V H.W.FR
 24V H.W.FR
 CR-2 B.B.I.E.
 CR-1 B.B.I.E.
 12V CENTRAL
 24V CENTRAL
 12V ENGINE
 24V ENGINE
 12V FRONT
 24V FRONT
 12V HOT WIRE FRONT
 24V HOT WIRE FRONT
 CR-2 BUS BAR 12V ENGINE
 CR-1 BUS BAR 12V FRONT



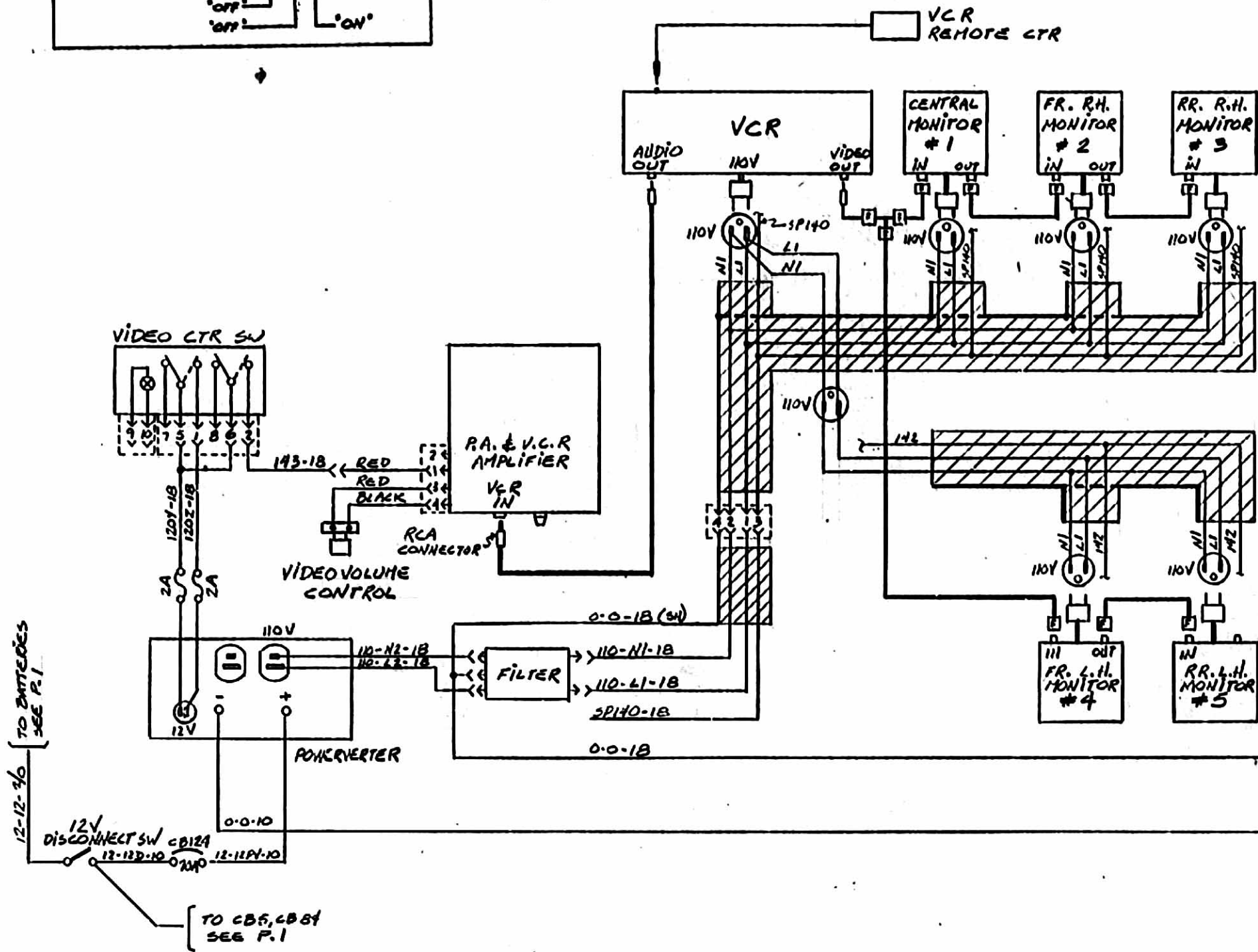
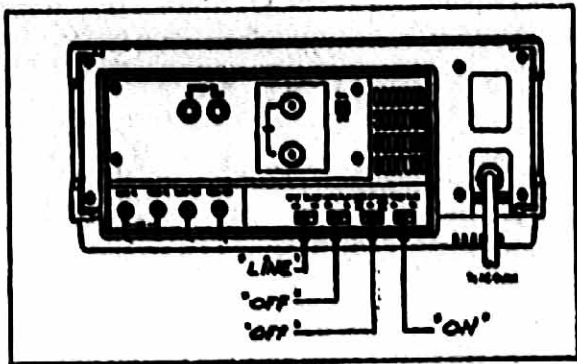
OPTION GALLEY

DESCRIPTION:			DR.- AB	DATE-90.06
WIRING DIAGRAM			CK- <i>EC</i>	APPR- <i>DR</i>
ITEM	DATE	REVISION	BY	APPL: EFF W/L-027 L.033...
C	91-01	MISC A JOUR	AB	REF: H5-60, WESTAIRS
B	90-10	MISC A JOUR	AB	NO: D-060732 R26
A	90-09	MISC A JOUR	AB	C



CB.
MOTOROLA
SYSTEM

					DESCRIPTION:	DR. <i>EC</i>	DATE-
					WIRING DIAGRAM	CR. <i>EC</i>	90108-12
					APPL: EFR. W/ 4-027 4-033 4-035	APPR.-	
					REF: H5-60 "WESTOURS"	NOI: D-060732 P27	
ITEM	DATE	REVISION	BY				



VIDEO SYSTEM

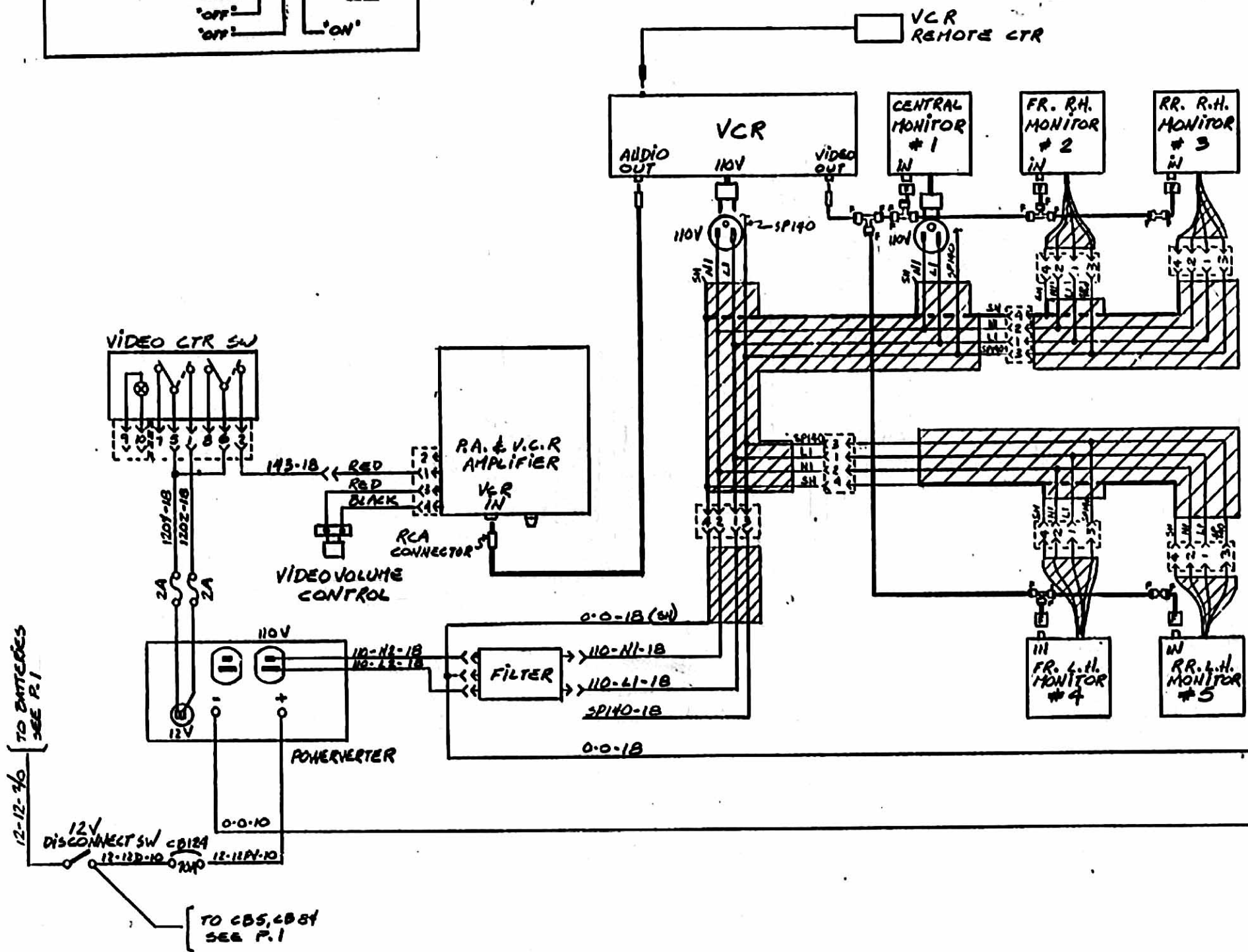
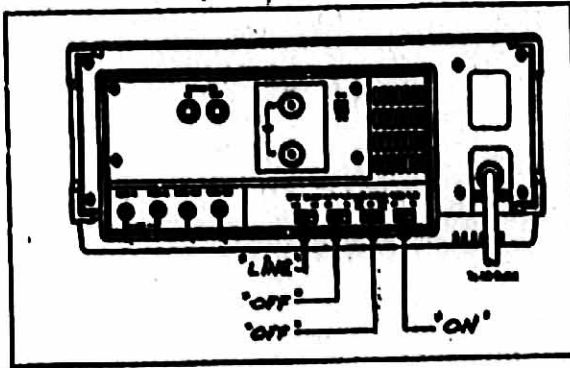
- 12V CENTRAL
- 24V CENTRAL
- 12V ENGINE
- 24V ENGINE
- 12V FRONT
- 24V FRONT
- 12V HOT WIRE FRONT
- 24V HOT WIRE FRONT
- CR-2 BUS BAR 10W ENGINE
- CR-1 BUS BAR 10W FRONT

TO BATTERIES
SEE P.1

TO CDS, CDSY
SEE P.1

TITRE:		CLASS: AB		DATE: 90.12	
WIRING DIAGRAM		VER.:		APPR. <i>D.S.</i>	
APPL: EFF. W/MO95 PRIOR TO: N/A		REF: H5-60 WESTOURS		NO: D-060732, P.28 C	

ITEM	DATE	REVISION	PAR



VIDEO SYSTEM

- 12V CENTRAL
- 24V CENTRAL
- 12V ENGINE
- 24V ENGINE
- 12V FRONT
- 24V FRONT
- 12V HOT WIRE FRONT
- 24V HOT WIRE FRONT
- CR-2 BUS BAR IGN ENGINE
- CR-1 BUS BAR IGN FRONT

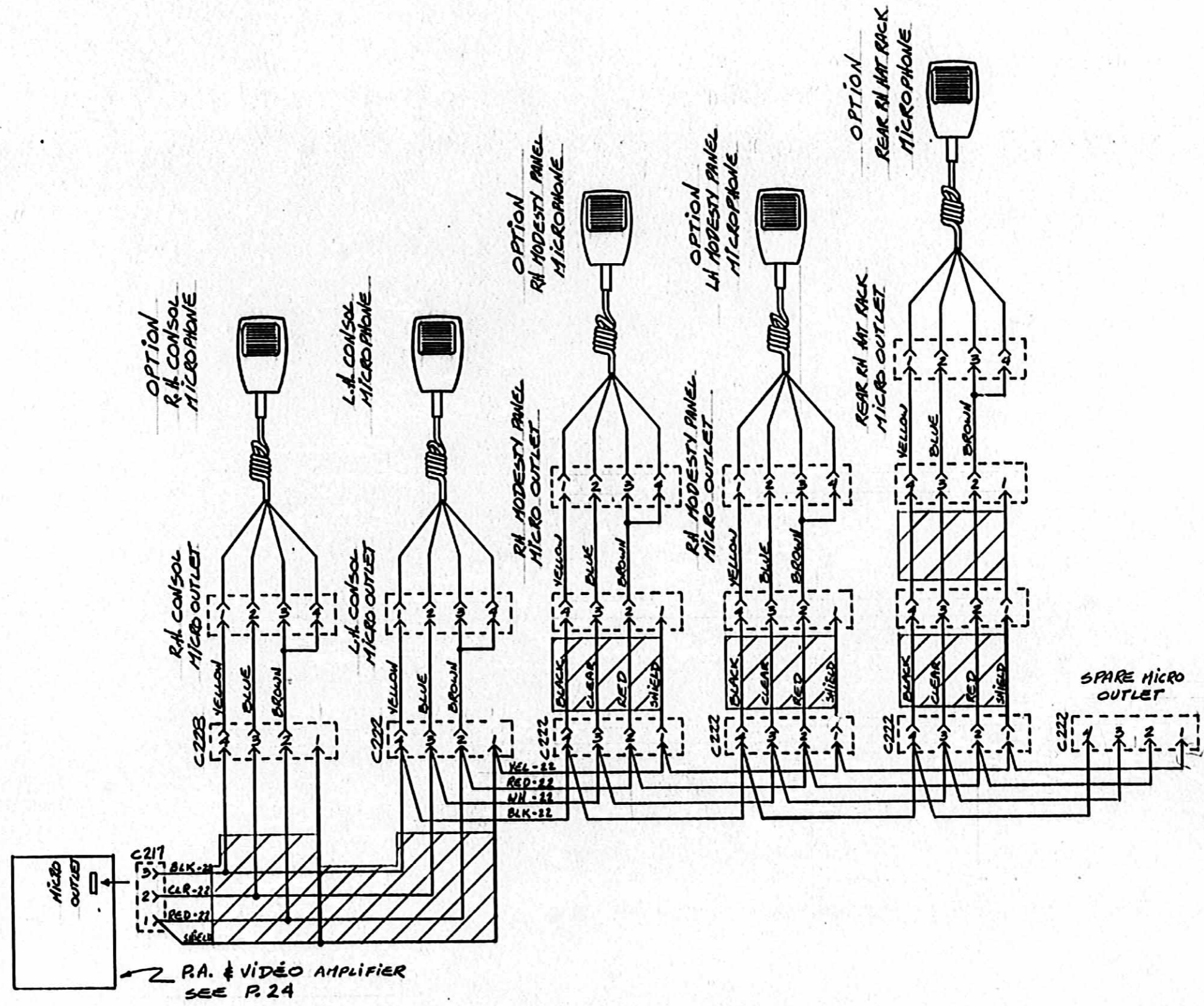
TO BATTERIES
SEE P.1

TO CBS, CBS4
SEE P.1

					TITLE:	WIRING DIAGRAM		CLASS:	M.H	DATE:	92-01
					APPL:	EFF. W/M104	PRIOR TO:	REF:	115-60 WESTOURG	NO:	D-060732 P.28a C
ITEM	DATE	REVISION	PAR					VER.:		APPR.:	16

12V CENTRAL
 24V CENTRAL
 12V ENGINE
 24V ENGINE
 12V FRONT
 24V FRONT
 12V HOT WIRE FR
 24V HOT WIRE FR
 CR2 BUS BAR I.E.
 CR1 BUS BAR I.EK

12V CENTRAL
 24V CENTRAL
 12V ENGINE
 24V ENGINE
 12V FRONT
 24V FRONT
 12V HOT WIRE FRONT
 24V HOT WIRE FRONT
 CR2 BUS BAR IGN ENGINE
 CR1 BUS BAR IGN FRONT

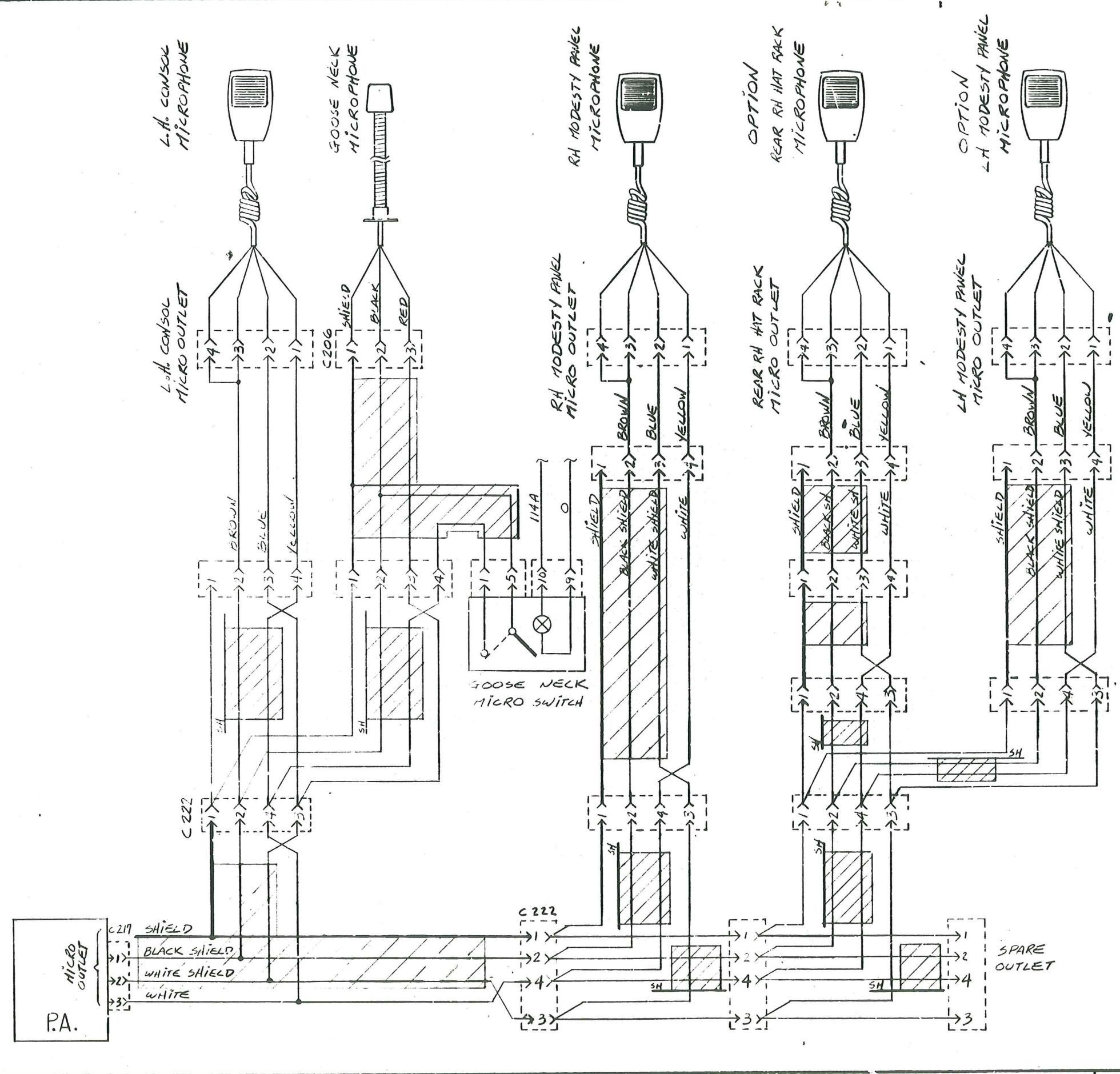


MICROPHONE
 OUTLET

				DESCRIPTION: WIRING DIAGRAM		DR.- AB	DATE- 91-04
				APPL: EFF. W/N-221 PRIOR TO:		CK.-	APPR.-
ITEM	DATE	REVISION	BY	REF: H5-60	NO: D-060732 P.29a		C
A	91-04	EFF. 06 91051	AB				

11" 8.5" 11" 8.5" 11" 8.5" 11"

- 12V CENTRAL
- 24V CENTRAL
- 12V ENGINE
- 24V ENGINE
- 12V FRONT
- 24V FRONT
- 12V HOT WIRE FR
- 24V HOT WIRE FR
- CR-2 BUS BAR IGN. ENGINE
- CR-1 BUS BAR IGN. FRONT



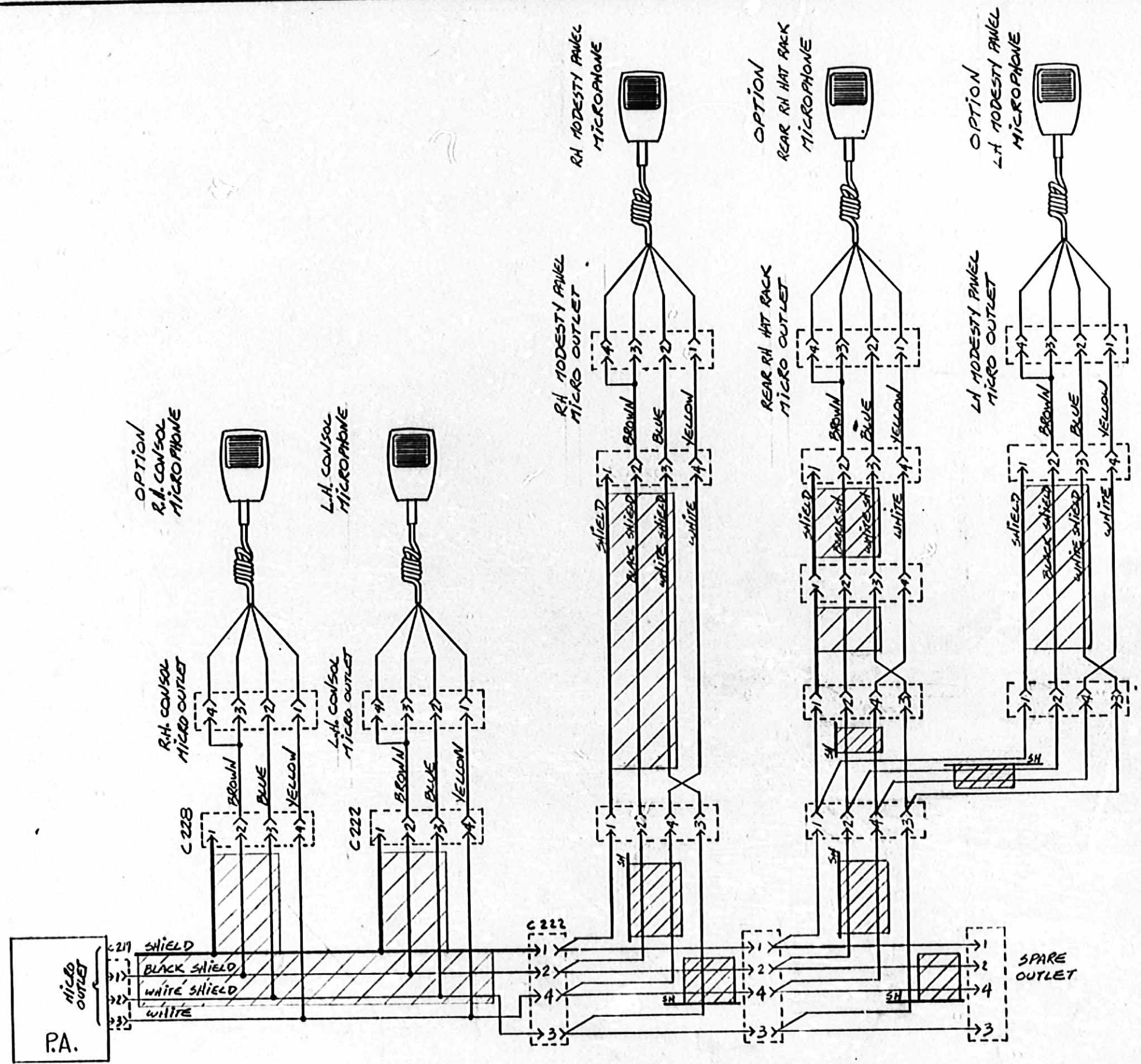
MICROPHONE OUTLET

11" 8.5" 11" 8.5" 11"

DESCRIPTION:		DR. - AB	DATE - 90-09
WIRING DIAGRAM		CK. -	APPR. - D.R.
			18 dec 90
A	90-09	MISE A JOUR	AB
REV	DATE	REVISION	REV
APPL: EFF. W/L-027		PRIOR TO:	
REF: 115-60 WESTOURS		NO: D-060132 P.29A C	

12V CENTRAL
 24V CENTRAL
 24V ENGINE
 24V ENGINE
 24V FRONT
 24V FRONT
 24V HOT WIRE FR
 24V HOT WIRE FR
 CR2 BUS PARL L.S.
 CR1 BUS PARL FR

12V CENTRAL
 24V CENTRAL
 12V ENGINE
 24V ENGINE
 12V FRONT
 24V FRONT
 12V HOT WIRE FRONT
 24V HOT WIRE FRONT
 CR2 BUS BAR RM. ENGINE
 CR2 BUS BAR IGN. FRONT



MICROPHONE
 OUTLET

M

DR.	AB	DATE	90-09
CK.		APPR.	AB
			1816680
NO.	D-560732 P29		C

DESCRIPTION:
WIRING DIAGRAM
 APPL: EFF. W/ L-027 P. 1-035... P. 1-035... P. 1-035...
 REF: H5-60

B 91-04 PRIOR OC 91051 AB
 A 90-09 mix A 10UR AB
 TEM DATE REVISION BY